



**Engine Starting Battery Charger
“Constavolt”**



Standard



46 Series CAP

Made in U.S.A



The La Marche A46F battery charger is specially designed for maintaining and recharging starting batteries of engine generator sets. The controlled magnetic amplifier technology provides the highest reliability that is necessary for the continued operation of the emergency standby equipment and eliminates most starting problems by maintaining batteries at a proper charge, ensuring optimum performance and maximum life.

These chargers can also be customized to meet the American Bureau of Shipping (ABS) and United States Coast Guard (USCG) standards for applications such as offshore and on board vessels.

Standard Features

- Magnetic Amplifier Circuitry
- Filtered for Valve-Regulated Batteries
- Automatic DC Voltage Regulation
- Automatic AC Input Voltage Compensation +/- 10%
- Automatic Surge Suppression
- Analog DC Ammeter & DC Voltmeter
- DC Current Limiting Circuitry
- AC Input and DC Output Fusing
- AC Power Failure Relay with (1) set of Form “C” Contacts
- Float/Equalize Mode Switching
- Charger Design Prevents Battery from Discharging if AC Line Fails
- AC to DC Isolation
- UL 1564 Listed and C-UL Listed
- 5-Year Full Warranty
- 10-Year Magnetics Warranty

Optional Accessory Package (C.A.P.)

- 46E** LCD C.A.P. System (Meets NFPA 110), Features:
- 2-Line Selectable LCD Display for DC Voltage
 - DC Current & Alarms
 - Float & Equalize Mode Selection with Indicators
 - Multi-Mode Equalize Timer
 - Alarm LED Indicator
 - Form "C" Contacts for: Summary, AC Power Failure, Low DC Current, Low DC Voltage 1 & 2, High DC Voltage and High Voltage Shutdown

Optional Accessories

- 016** AC Breaker Two Pole
- 017** DC Breaker Two Pole
- 38J** ABS & U.S.C.G Accessories with (060) Pilot light or 060 and 46E. Includes AC/DC Breakers, Drip Shield, Stuffing Tubes, Conformal Coating

Model Number	DC Output			AC Input Current Draw* at 100% Load (Amps)			Case No.	Overall Dimensions (W x D x H)	Shipping Weight (Approximate)		
	Amps	Volts	Fuse Size	120 A	208 D	240 B			lbs	kgs	
12VDC 6L, 9 or 10NC	A46F-6-12V	6	12V	15A	1.5	0.9	0.8	7	14 x 11 x 20" 362 x 270 x 505mm	45	20.4
	A46F-10-12V	10	12V	20A	2.5	1.4	1.3	7	14 x 11 x 20" 362 x 270 x 505mm	50	22.7
	A46F-20-12V	20	12V	35A	5	2.9	2.5	7	14 x 11 x 20" 362 x 270 x 505mm	68	31.0
24VDC 12L, 19 or 20NC	A46F-6-24V	6	24V	15A	3	1.7	1.5	7	14 x 11 x 20" 362 x 270 x 505mm	50	22.8
	A46F-10-24V	10	24V	20A	5	2.9	2.5	7	14 x 11 x 20" 362 x 270 x 505mm	74	33.7
	A46F-20-24V	20	24V	35A	10	5.8	5	7	14 x 11 x 20" 362 x 270 x 505mm	85	38.7
	A46F-30-24V	30	24V	50A	15	8.7	7.5	3	15 x 11 x 24" 381 x 279 x 610mm	100	45.3
	A46F-40-24V	40	24V	70A	21	12	3	3	15 x 11 x 24" 381 x 279 x 610mm	140	63.5
32VDC 16L	A46F-6-32V	6	32V	15A	4	2.3	2	7	14 x 11 x 20" 362 x 270 x 505mm	70	31.9
	A46F-10-32V	10	32V	20A	6.7	3.9	3.3	7	14 x 11 x 20" 362 x 270 x 505mm	80	36.4
36VDC 18L	A46F-6-36V	6	36V	15A	4.5	2.7	2.4	7	14 x 11 x 20" 362 x 270 x 505mm	70	31.9
	A46F-10-36V	10	36V	20A	7.5	4.2	3.9	7	14 x 11 x 20" 362 x 270 x 505mm	80	36.4

Note: All above models designed for optimal performance at 60Hz. They will operate at 50Hz with reduced performance. Consult factory for units designed specifically at 50Hz. Must specify only one battery type and number of cells. Please consult factory for other available cell ranges if desired range not shown.

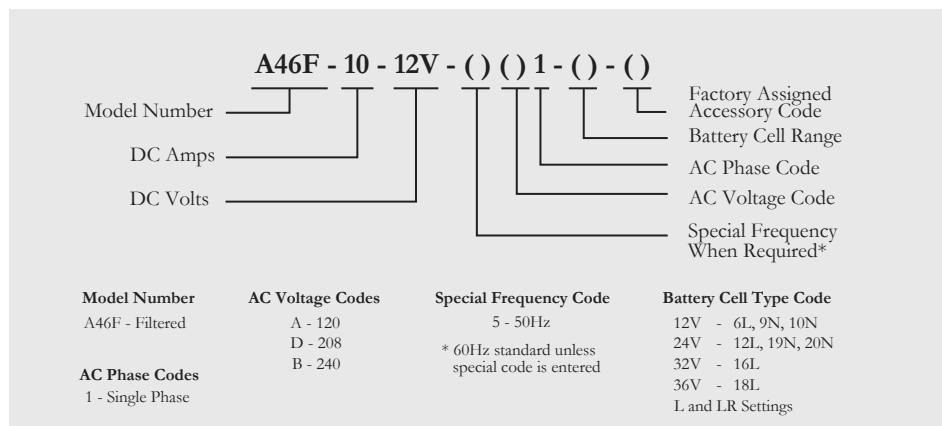
*AC Current Draws based @ 100% load using standard battery cells of 6L(12V), 12L(24V), 18L(36V) Maximum current Draw is typically 140% of ratings shown.

Optional External Charge Dividers

Model Number	Number of Batteries	DC Range		Case No.	Shipping Weight (Approx.)	
		Amps	Volts		lbs	kgs
CD40-20/30-12/32-N2	2	6-30	12-32	05	10	4.5
CD40-20/30-12/32-N3	3	6-30	12-32	05	11	5.0
CD40-40/60-12/32-N2	2	40-60	12-32	1	14	6.4
CD40-40/60-12/32-N3	3	40-60	12-32	1	15	6.8
CD40-75/100-12/32-N2	2	75-100	12-32	2	23	10.4
CD40-75/100-12/32-N3	3	75-100	12-32	2	25	11.3

NOTE: Please consult factory when Charge Dividers for A12B, A40/A40F, A41/A41F and A46 units are required.

Model Number Nomenclature



Environmental:

- Operating Temperature: 0 to 50° C (32 to 122° F)
- Storage Temperature: -40 to 85° C (-40 to 185° F)
- Relative Humidity: 0 to 95% non-condensing

NEMA 1 enclosure ANSI 61 gray baked enamel paint