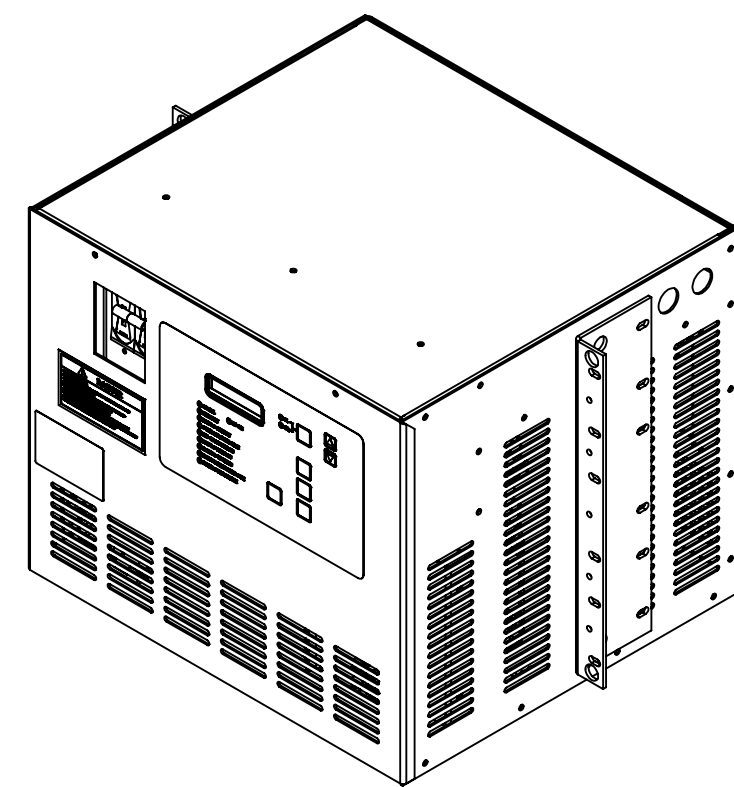
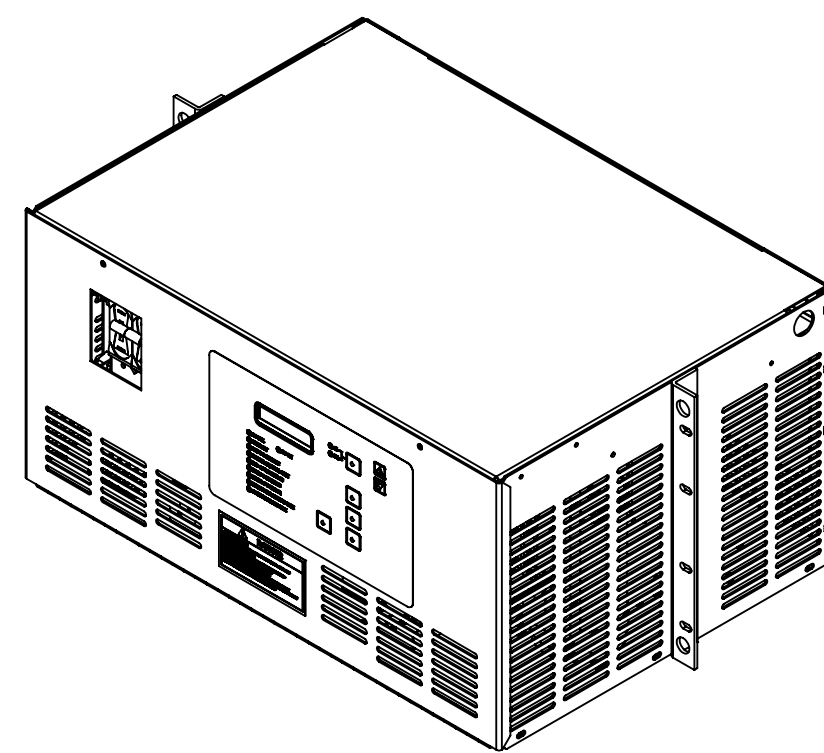


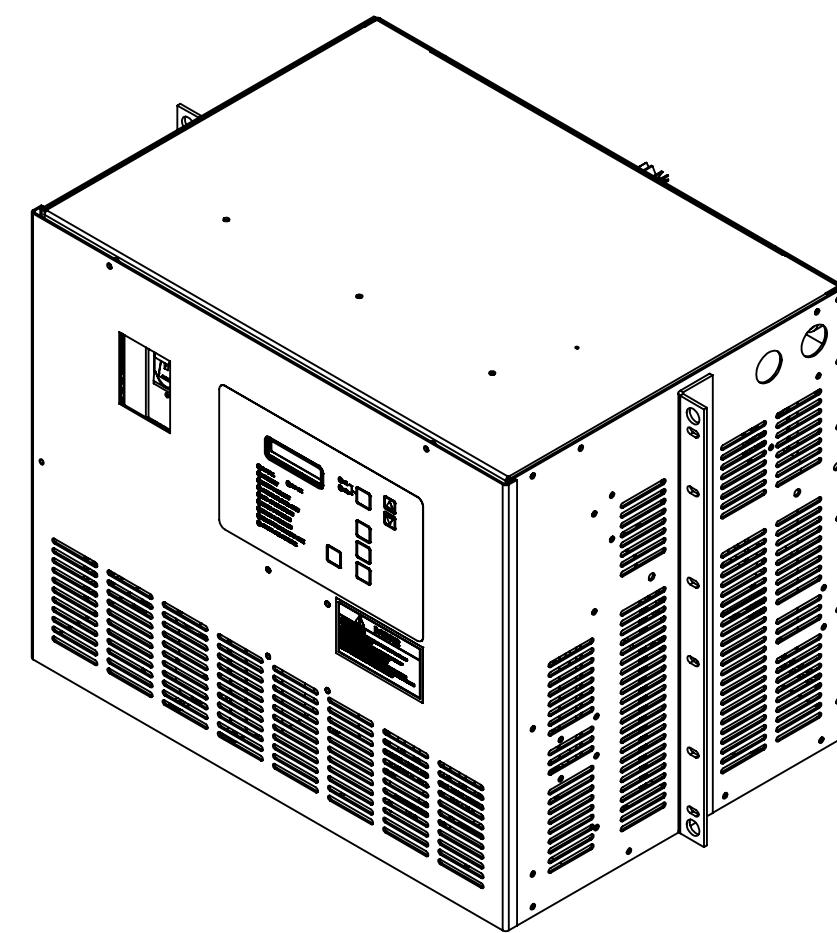
#39 CASE



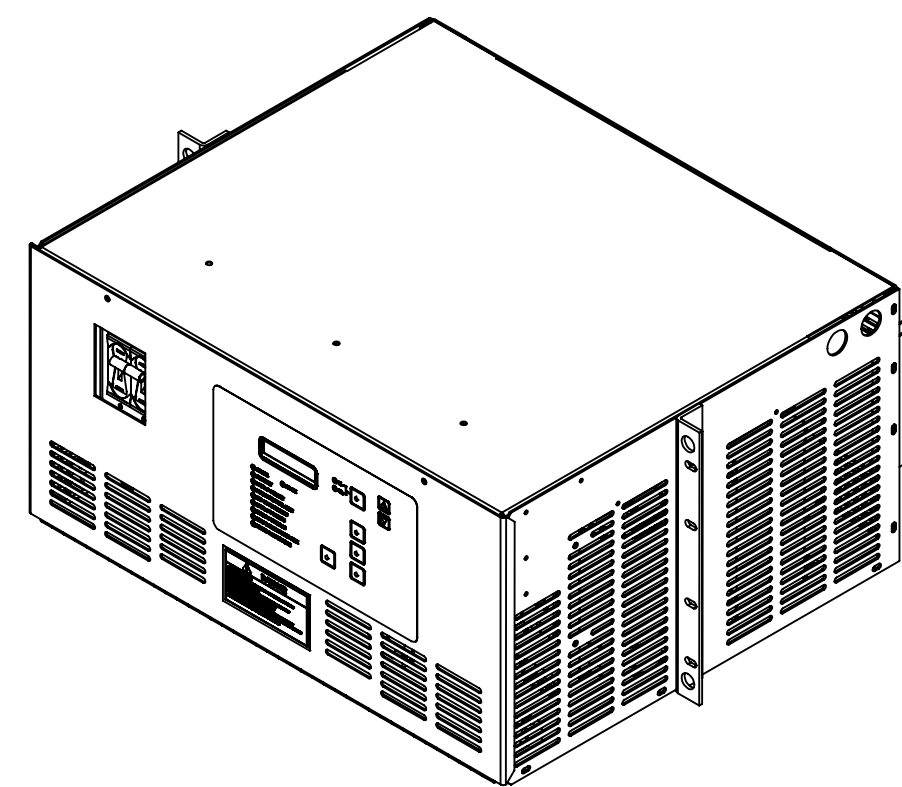
#4D CASE



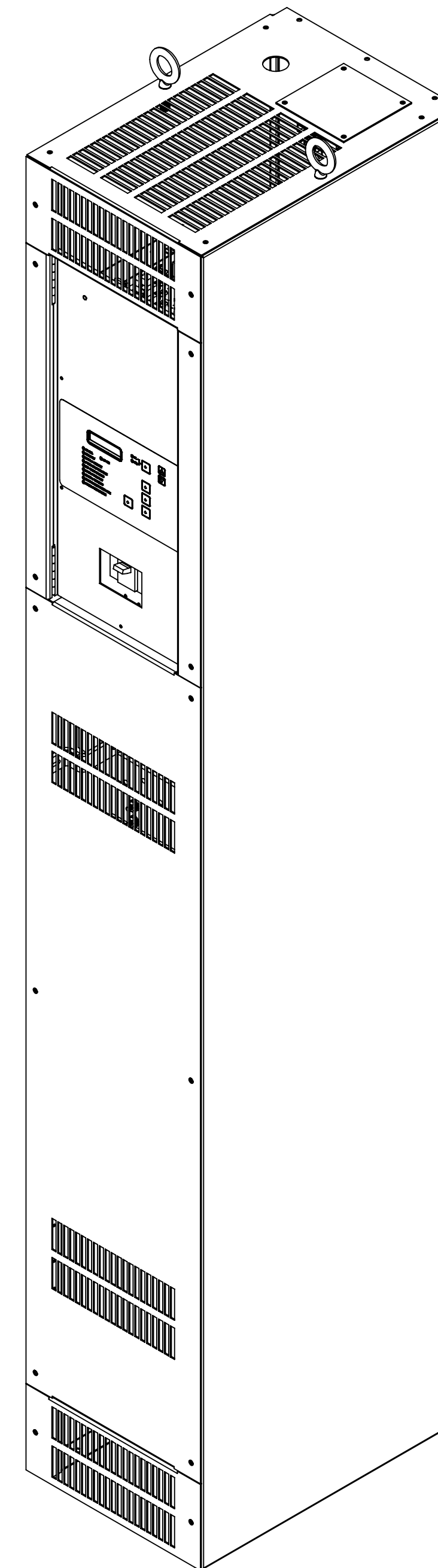
#33 CASE



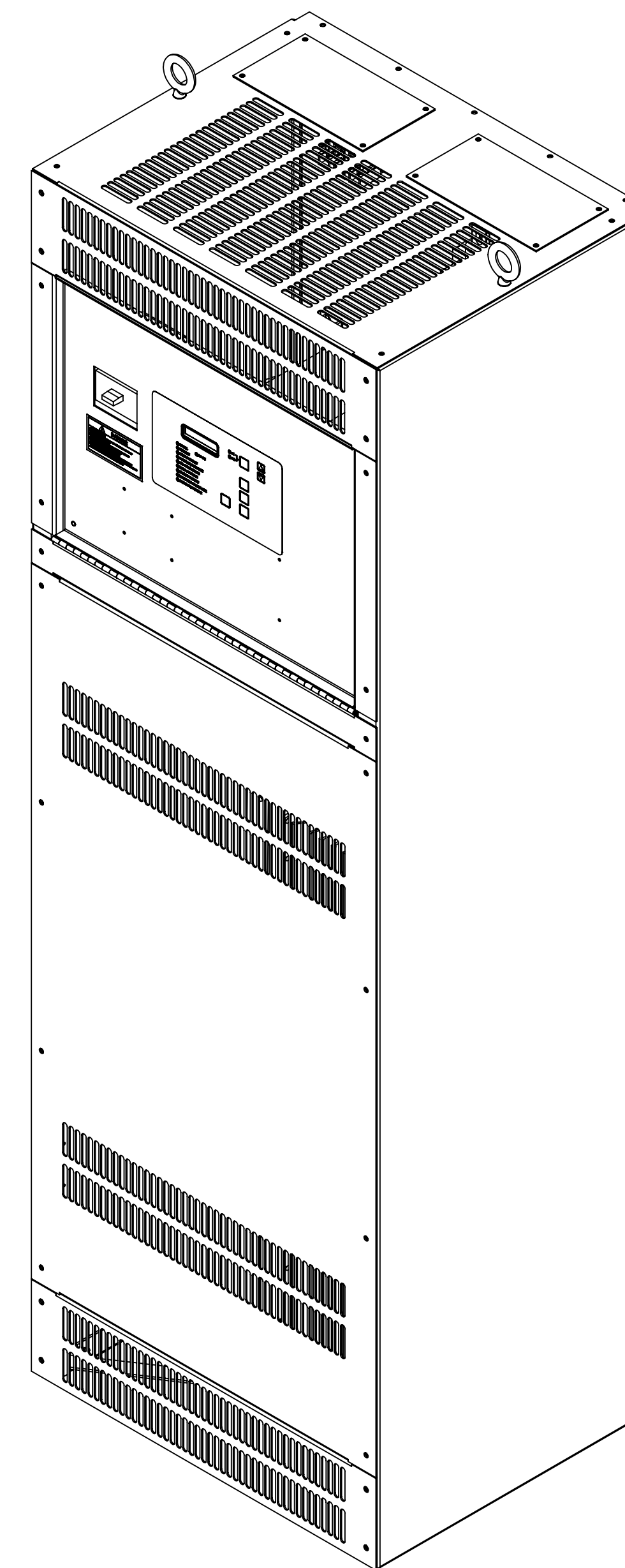
#9D CASE



#33E CASE



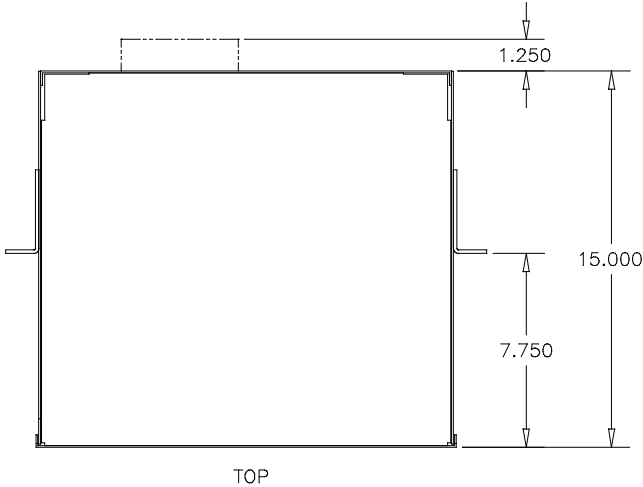
#43 CASE



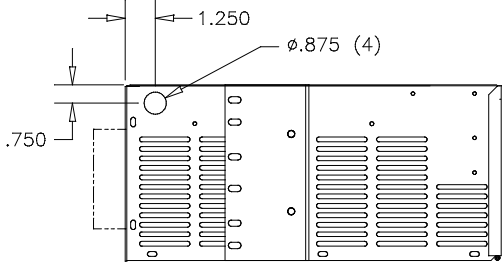
#44 CASE

UNLESS OTHERWISE SPECIFIED: DIMENSIONS ARE IN INCHES TOLERANCES: .XX ± .05 .XXX ± .015 ANGLE: ± 0.5° RADIUS: ± 0.015		 REMOVE ALL BURRS AND BREAK SHARP EDGES .03 MAX		 HOLE POSITION		 106 Bradrock Drive Des Plaines, Illinois 60018 U.S.A. Tel. 847-299-1188 <a href="http://www.lamarchemfg.com">http://www.lamarchemfg.com</a>	
DRWN BY	SBB	ISOMETRIC VIEW A36D		ALL POPULAR CASES			
CHKD BY	TK						
APRVD BY	TK						
DWG DATE	09-09-24						
ISS DATE	09-09-24						
SHEET	1 OF 1	SIZE	D	DWG NO		ALL_A36D_CASES	
REV	REV DESCRIPTION	BY	CHK	APP	REV DATE	REV ISS DATE	ECN NO

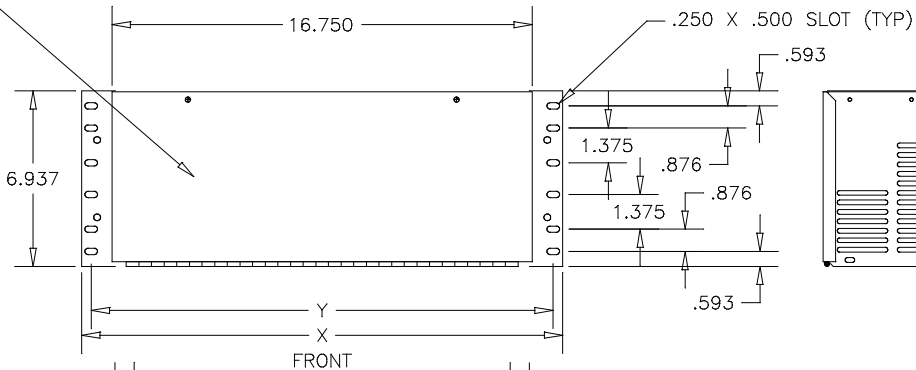
CASE NO.	MOUNTING	X	Y
39	19" RACK	19.00	18.25
39	23" RACK	23.00	22.25



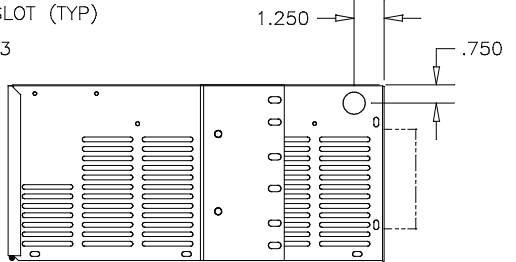
HINGED ACCESS DOOR



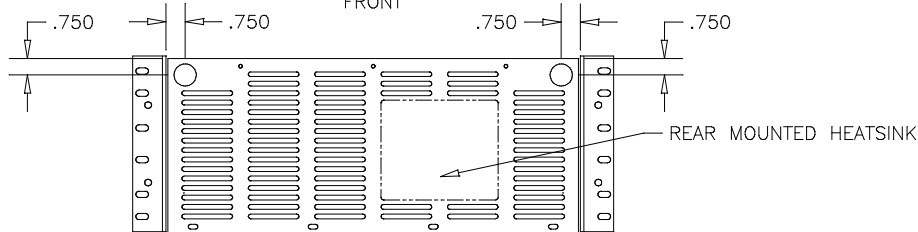
LEFT SIDE



FRONT



RIGHT SIDE

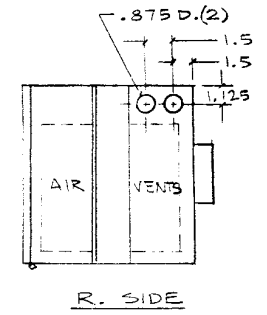
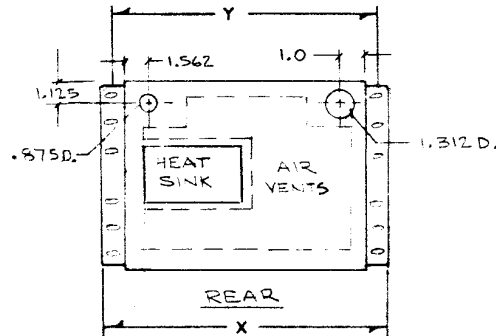
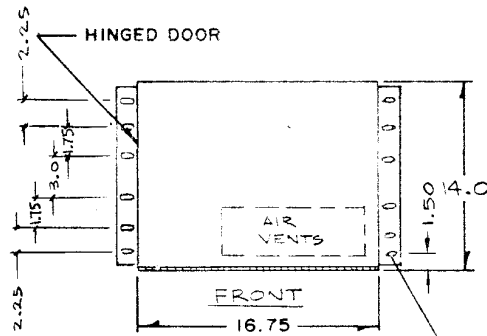
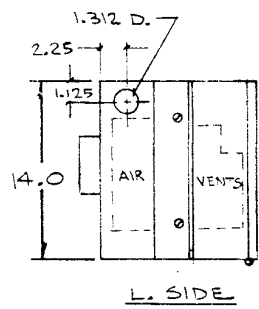
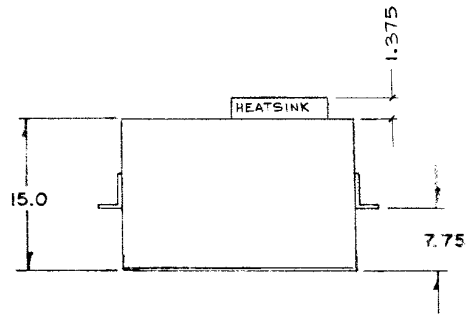


REAR

- NOTES:
- MATERIAL:  
HOUSING: 14 GAGE SHEET STEEL  
DOOR: 16 GAGE SHEET STEEL  
TOP: 18 GAGE SHEET STEEL
  - FINISH: ANSI #61 GREY
  - ALL DIMENSIONS ARE GIVEN IN INCHES

MOUNTING DIMENSIONS FOR #39 CASE						
 106 Broadrock Drive Des Plaines, Illinois U.S.A. 60018						
Dwg By	KES	App By	RRS	App By	TOS	
Dwg Date	3-7-88	Iss Date	3-7-88	Scale	NONE	
Sheet	1 of 1	Size	C	Dwg No	D39	
Rev	Description	By	Chk	App	Rev Date	Rev Iss Date ECN No
1	UPDATED TO STD'S, NEW FORM (RO)	JAF	RRS	TED	4-30-03	4-30-03 15953
2					2-26-89	2-26-89 6765

CASE	MTG.	X	Y	Z
4	19" R.R.	19.0	18.25	.266
4 -23	23" R.R.	23.0	22.25	.266



.25 x .50 SLOT (6) EA. SIDE



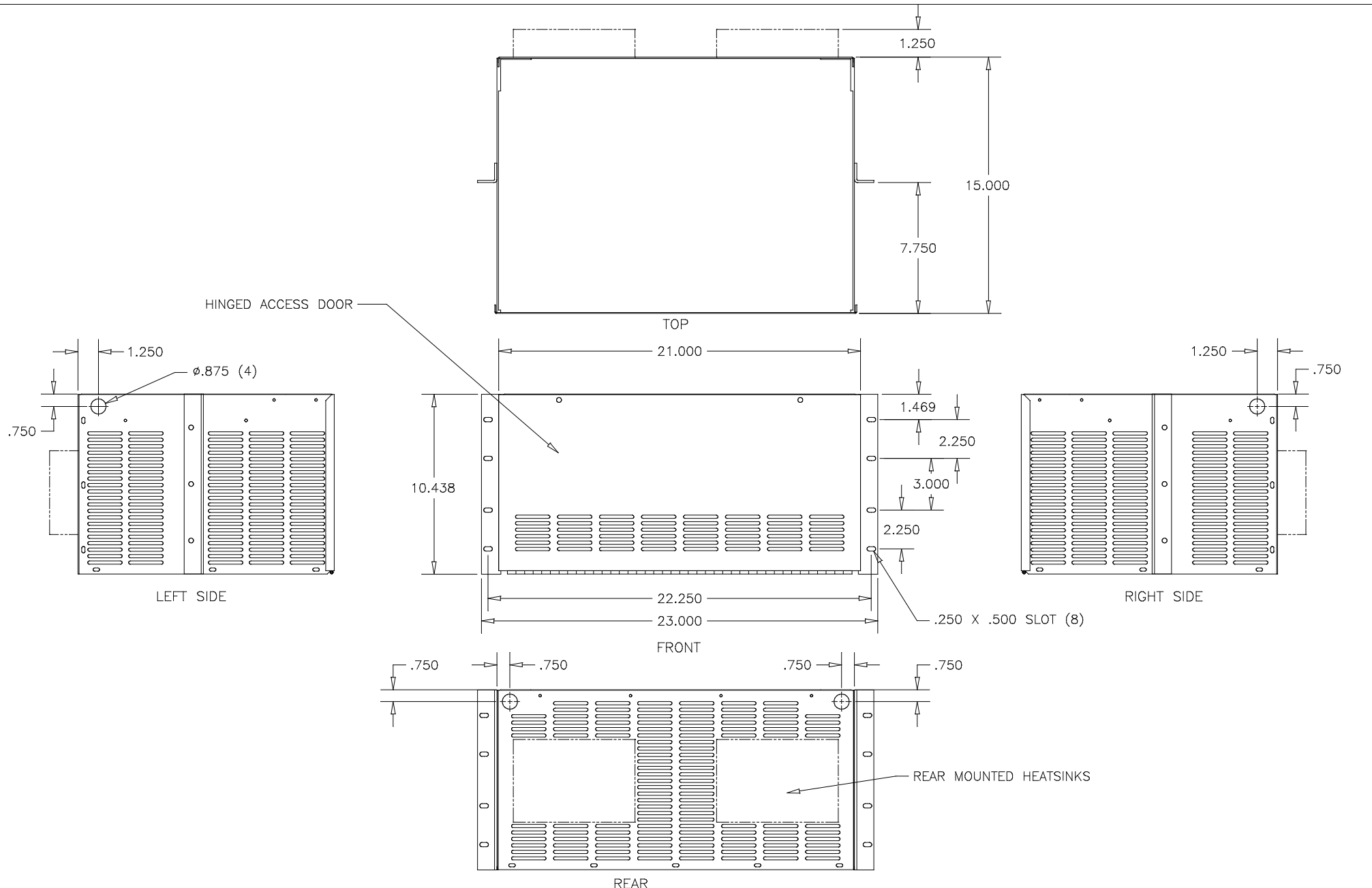
MATERIAL :  
 BASE : 12 GA. SHEET STEEL  
 DOOR : 14 GA. SHEET STEEL  
 HOUSING : 14 GA. SHEET STEEL  
 FINISH : ANSI 61 GREY  
 ALL DIMENSIONS GIVEN IN INCHES.

MOUNTING DIMENSIONS OF NO. 4 D CASE


LE MARCHÉ MFG CO.  
 100 BRADROCK DR., DES PLAINES, ILL.

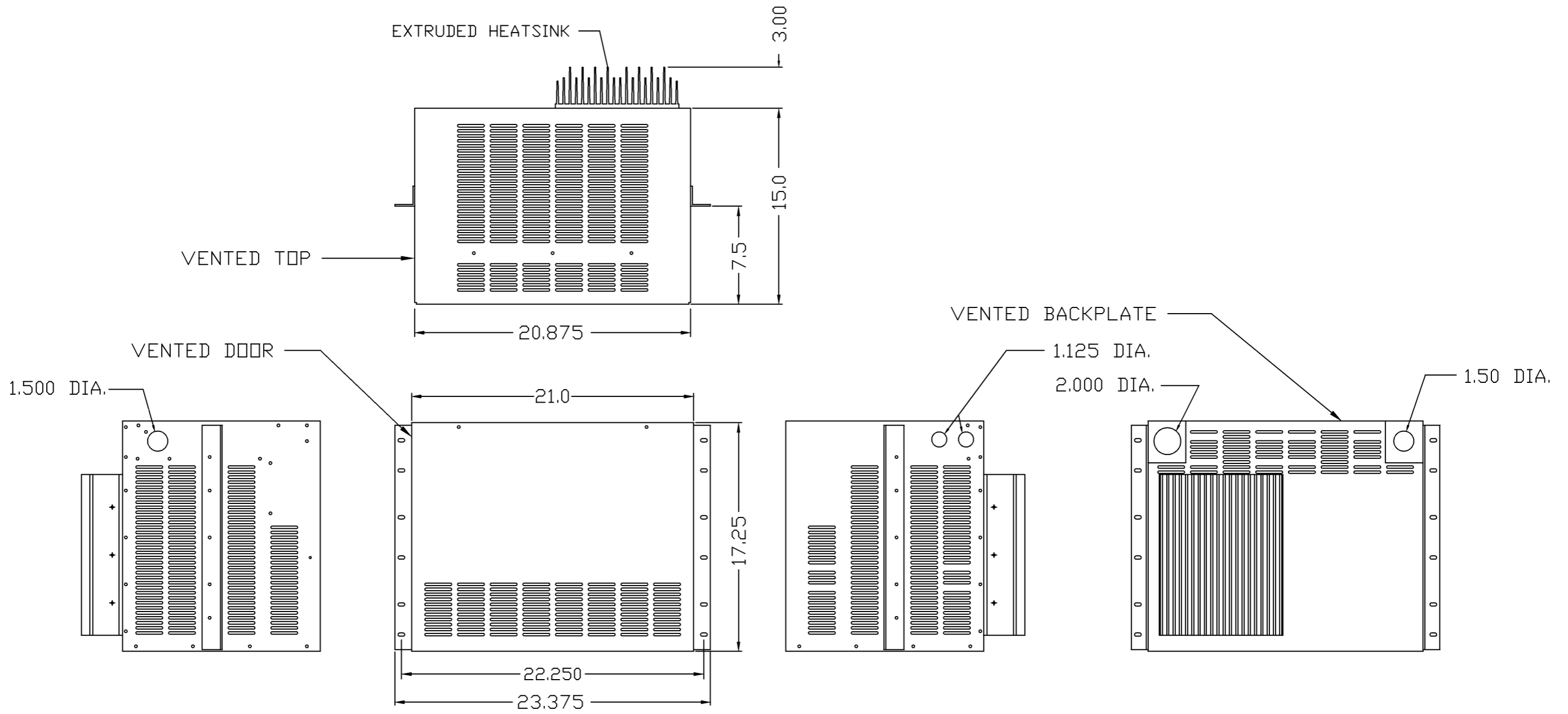
DWG BY	APP BY	APP BY
DWG DATE 7-29-87	SS DATE	SCALE

REV DATE	REV IS DATE	SS NO	SHEET 1	SIZE B	DWG NO D4D
----------	-------------	-------	---------	--------	------------



- NOTES:
- MATERIAL:**  
 HOUSING: 14 GAGE SHEET STEEL  
 DOOR: 16 GAGE SHEET STEEL  
 TOP: 18 GAGE SHEET STEEL
  - FINISH:** ANSI #61 GREY
  - ALL DIMENSIONS ARE GIVEN IN INCHES

MOUNTING DIMENSIONS FOR #33 CASE						
 106 Bradrock Drive Des Plaines, Illinois U.S.A. 60018						
Dwg By	DJK	App By	RRS	App By	TOS	Scale
Dwg Date	11-18-88	Iss Date	11-18-88			NONE
Sheet	1 of 1	Size	C	Dwg No	D33	
Rev	Description	By	Chk	App	Rev Date	Rev Iss Date
	UPDATED TO STD'S, NEW FORM (RO) -	JAF	RRS	TED	4-30-03	4-30-03
		-	-	-	8-26-93	8-26-93
						8572
						15953

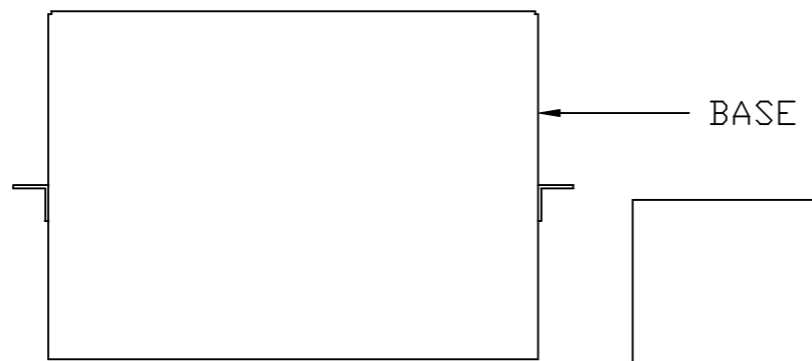


**NOTE:**

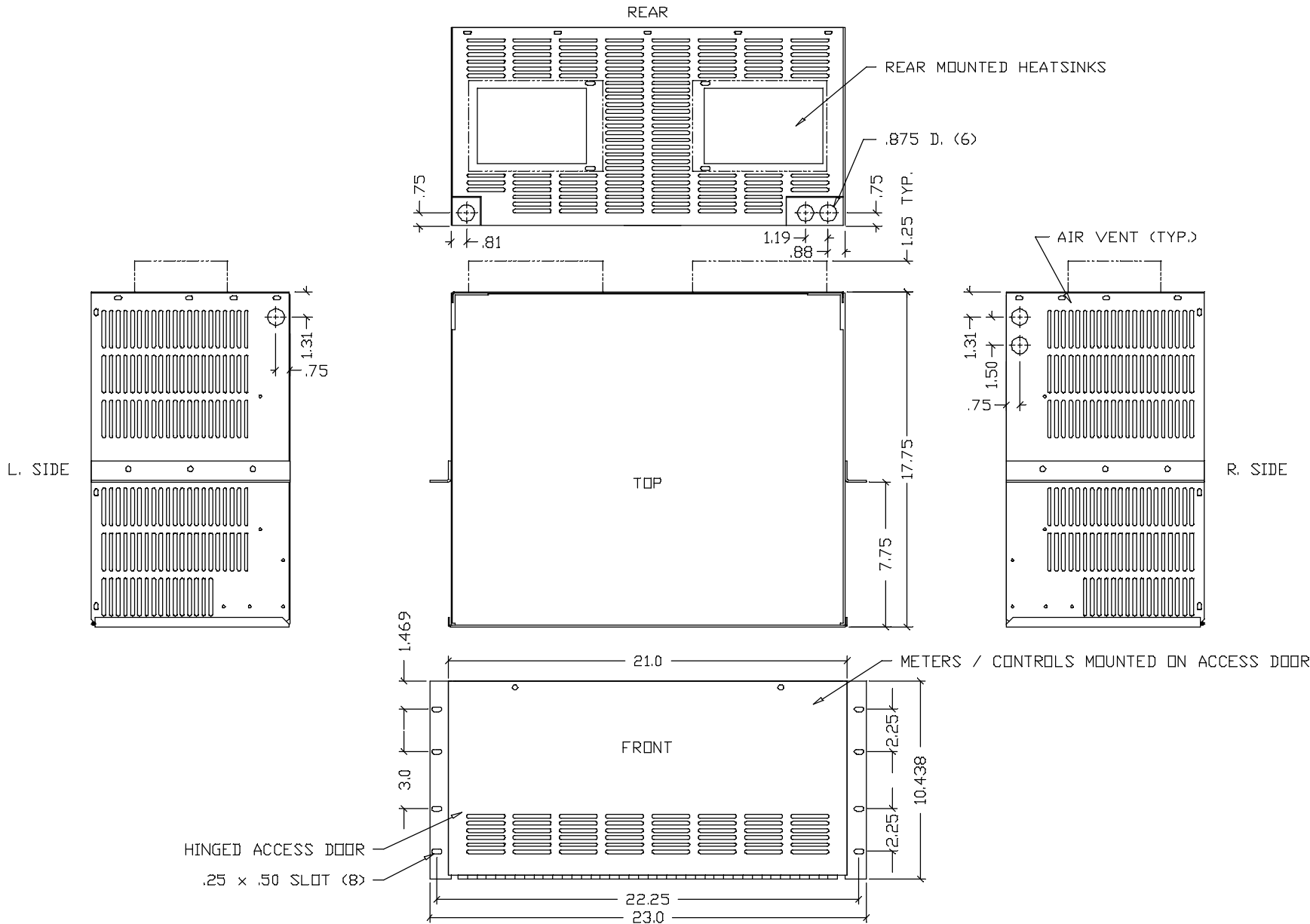
MATERIAL: HOUSING - 14GA. SHEET STEEL, BASE - 12GA. SHEET STEEL  
 ALL DIMENSIONS GIVEN IN INCHES  
 ALL SURFACES MUST BE DEBURRED & VOID OF SHARP EDGES  
 FINISH: DEFINED BY THE LAST LETTER OF THE SPECIFIC PART NO.  
 (REPLACING LAST X IN DWG. NO.) IN ACCORDANCE WITH LMC  
 ENG. SPEC. NO. A1-3

TOLERANCE: UNLESS SPECIFIED OTHERWISE: +/- .031  
 HOLE DIA. & SLOT SIZE: +/- .005  
 CENTER TO CENTER: +/- .015  
 ANGLES: +/- .5 DEG.

PLOT SCALE: 1=1 (FULL) ONLY WHEN PRINT MATCHES DIMENSIONS GIVEN



ADDED CENTER-CENTER DIM 22.250 (.R1) HEATSINK DIM. WAS 3.75" (.R0)							MOUNTING DIMENSION DRAWING OF #9D CASE		
106 Bradrock Drive Des Plaines, Illinois U.S.A. 60018							Dwg By CJA	App By RRS	App By TOS
SBB RRS TED 01-20-04 01-20-04 16306 SBB RRS TED 03-28-03 03-28-03 15872 11-11-93 11-11-93 8690							Dwg Date 05-17-91	Iss Date 05-17-91	Scale NONE
Rev Description							Sheet 1 of 1	Size B	Dwg No D9D



MAT'L: BASE, BACK, & SIDES = 14 GA. SHEET STEEL  
 DOOR; 16 GA. SHEET STEEL  
 TOP; 18 GA. SHEET STEEL

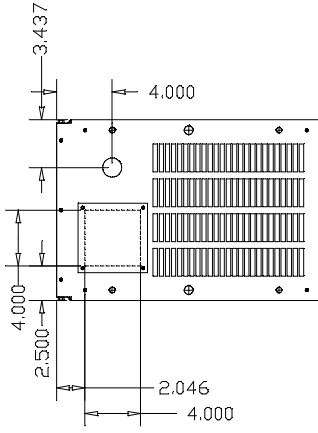
FINISH: ANSI 61 GREY

ALL DIMENSIONS ARE GIVEN IN INCHES

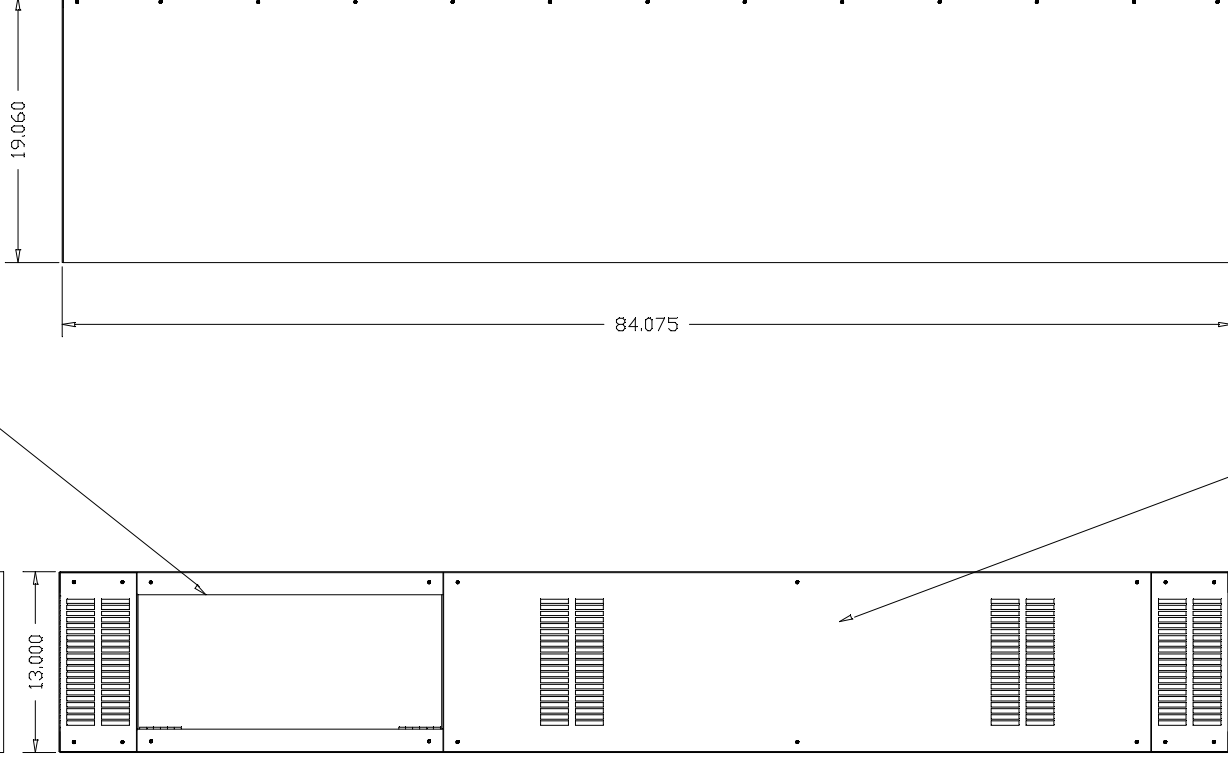
							MOUNTING DIMENSIONS OF CASE #33E			
							106 Bradrock Drive Des Plaines, Illinois USA 60018			
Dwg By		WRH		App By		RRS		App By		TED
Dwg Date		1-06-02		Iss Date		1-06-02		Scale		NONE
Sheet	Size	Dwg	No							
1 of 1	C	No	D33E							
Rev	Description	By	Chk	App	Rev Date	Rev Iss Date	ECN No			

TOP VIEW

BACK OF ENCLOSURE



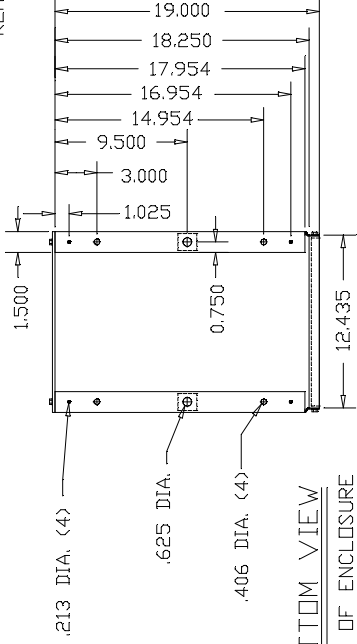
HINGED METER/CONTROLS PANEL



FRONT VIEW

RIGHT SIDE VIEW

REMOVABLE ACCESS PANEL



BOTTOM VIEW

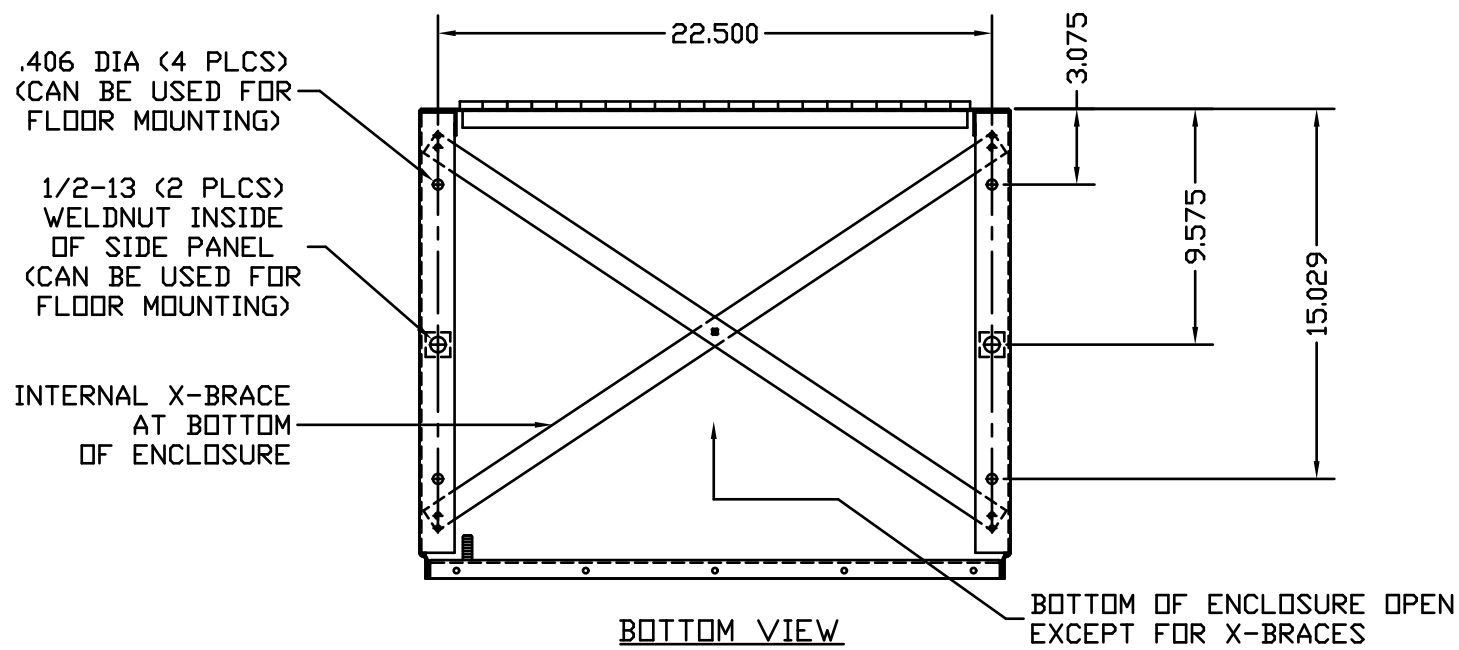
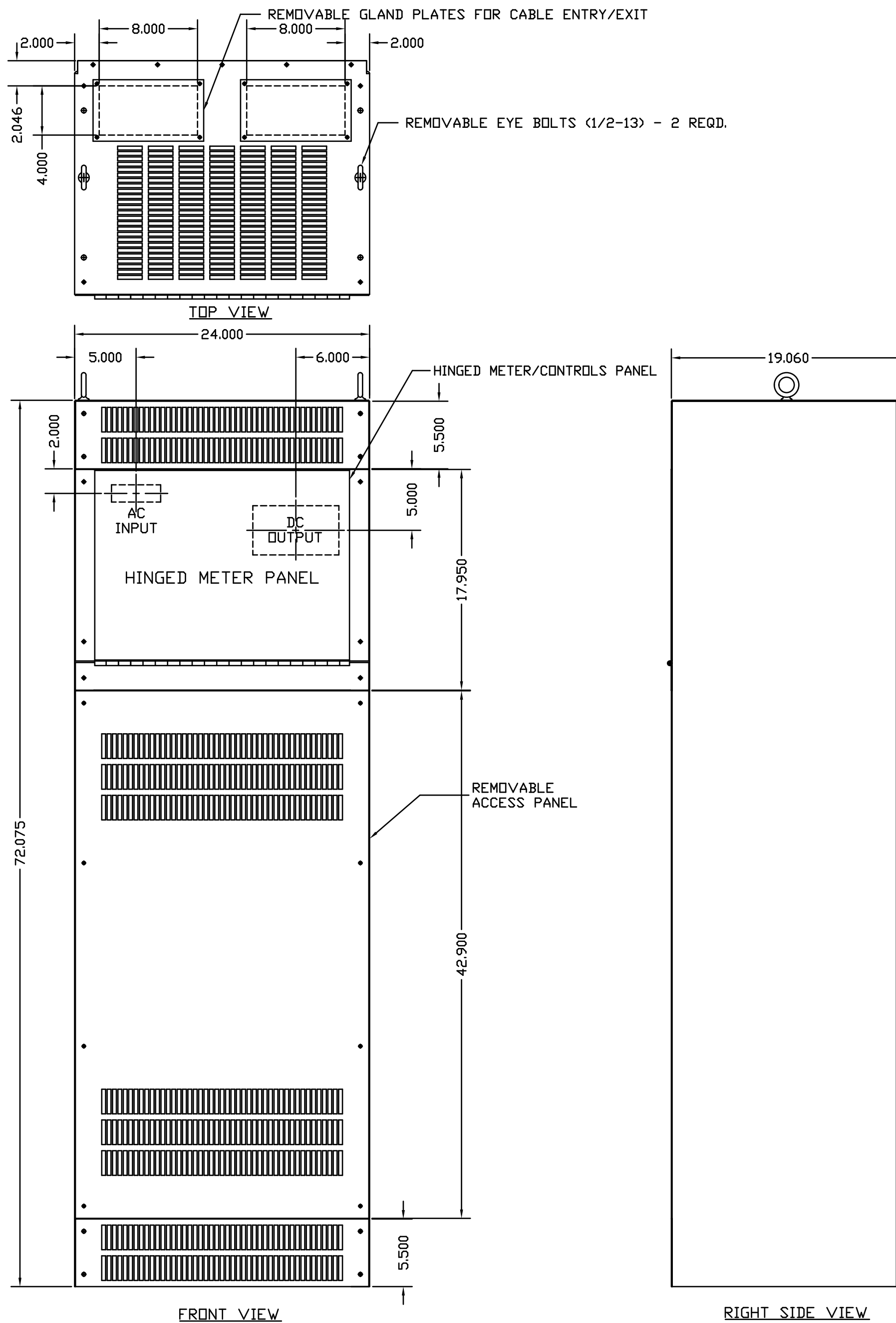
BACK OF ENCLOSURE

ALL DIMENSIONS GIVEN IN INCHES  
STANDARD FINISH: ANSI-61 GREY


Rev	Iss Date	Rev	Date	Iss No	Rev	Date
1		1			1	

Sheet Size: 1 of 1  
 DWG No: D43  
 Title: MOUNTING DIMENSIONS OF CASE #43

MILROCK  
 215 Brookpark Drive, Ste 104A, Dublin, OH 43019  
 Des By: SBR  
 App By:  
 Dig Date: 4-28-92  
 Iss Date: 4-28-92  
 Scale: NONE  
 Sheet Size: C



NOTE:  
ALL DIMENSIONS GIVEN IN INCHES  
STANDARD FINISH: ANSI-61 GREY

						MOUNTING DIMENSIONS OF CASE #44		
						 106 Bradrock Drive Des Plaines, Illinois U.S.A. 60018		
Dwg By		WRH	App By		RRS	App By		TOS
Dwg Date		04-13-88	Iss Date		04-13-88	Scale		NONE
Sheet		1 of 1	Size		C	Dwg No		D44
Rev Description		By	Chk	App	Rev Date	Rev Iss Date	ECN No	
ADDED BOTTOM VIEW (R0)		SBB	RRS	TED	07-25-03	07-25-03	16087	
					08-08-97	08-08-97	11072	