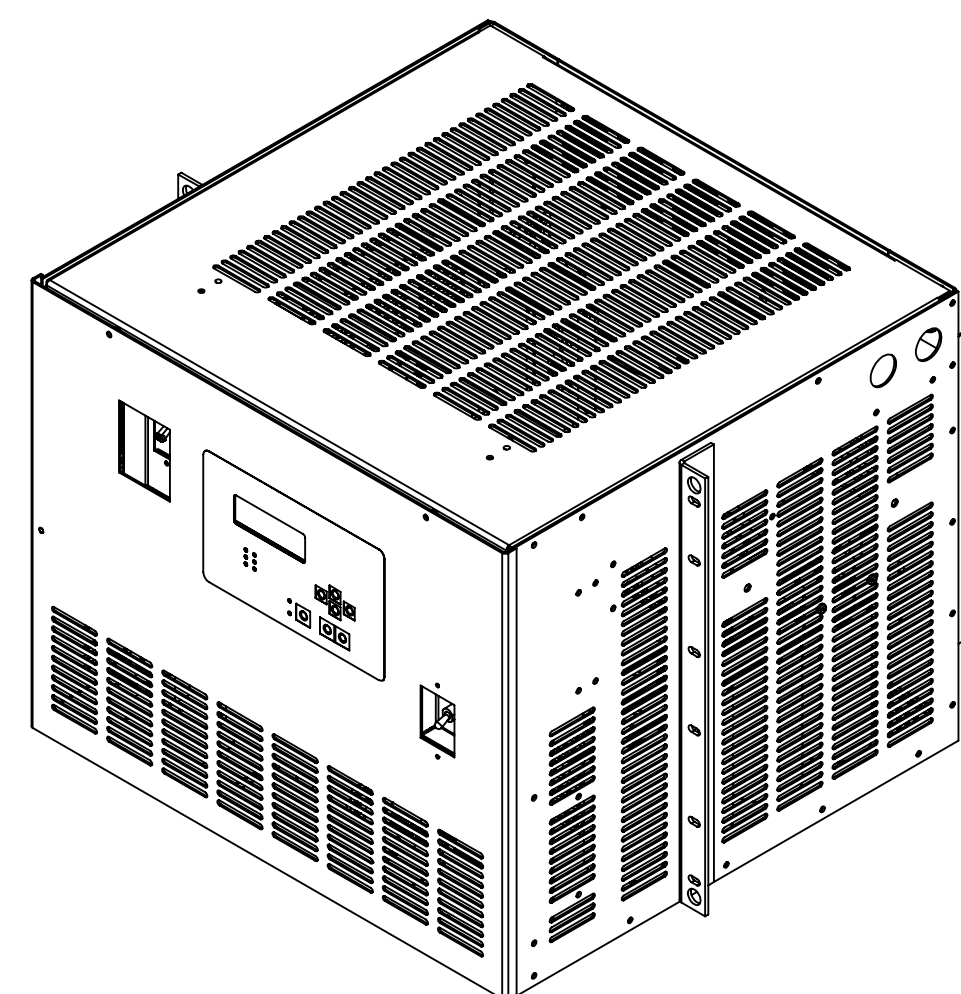
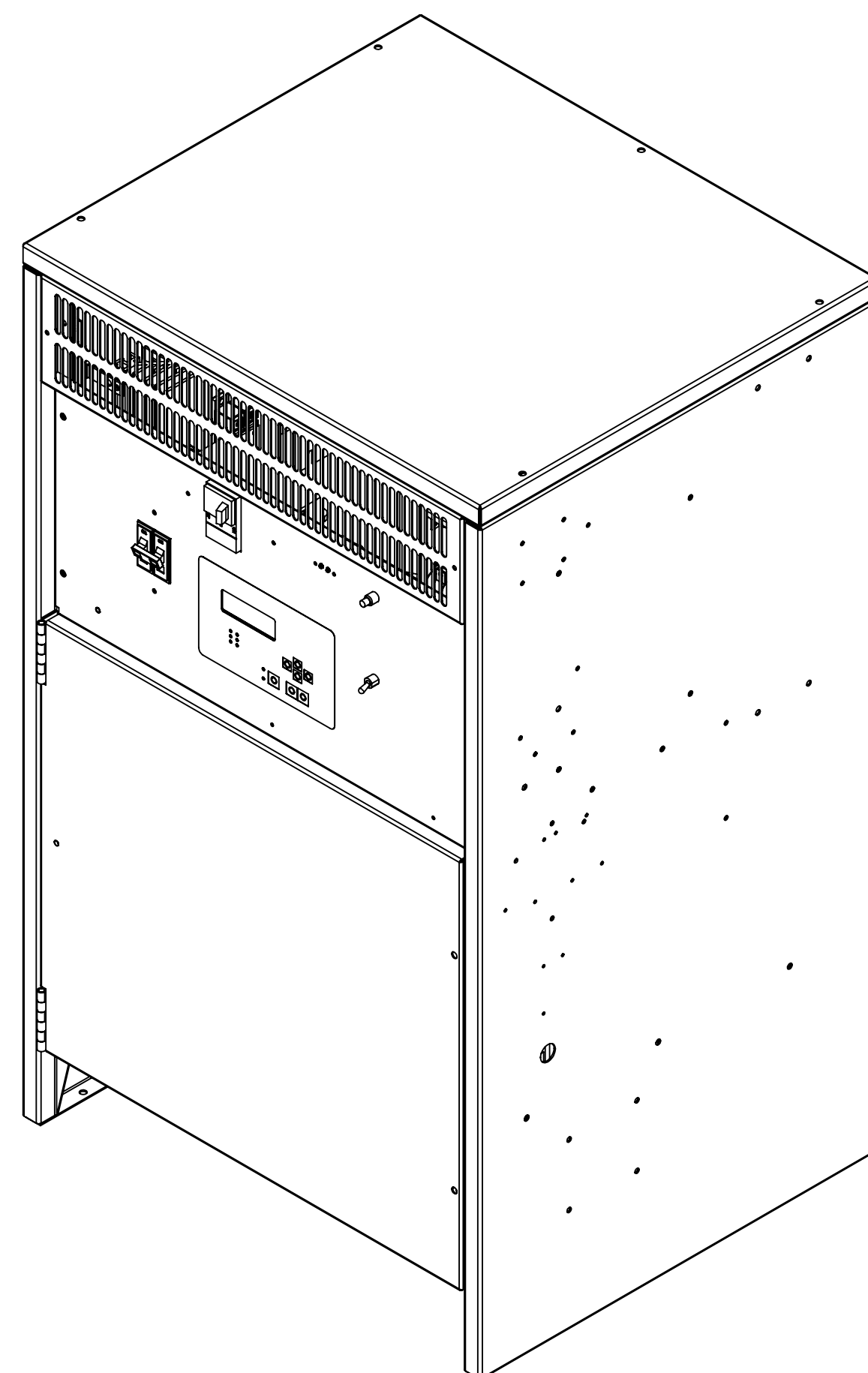


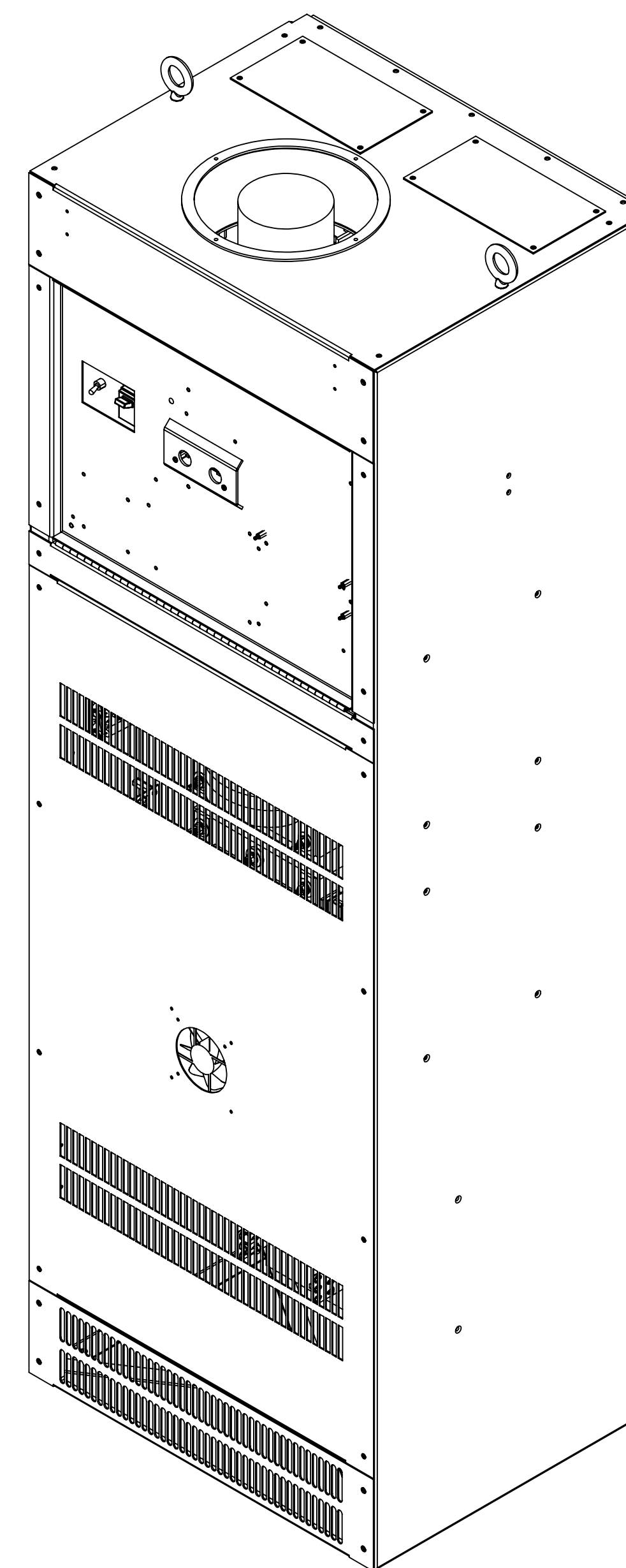
#9D CASE




#9E CASE

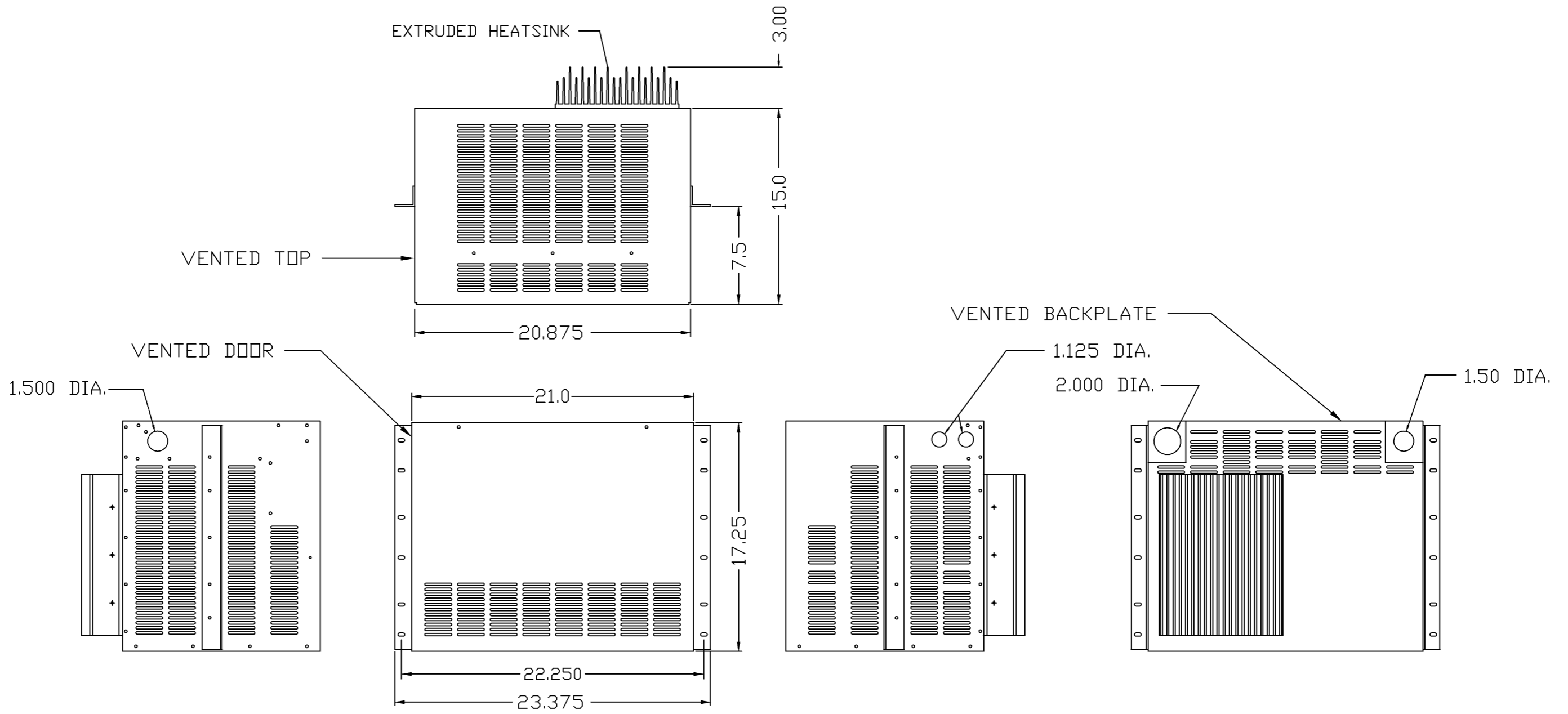


#72 CASE




#44 CASE

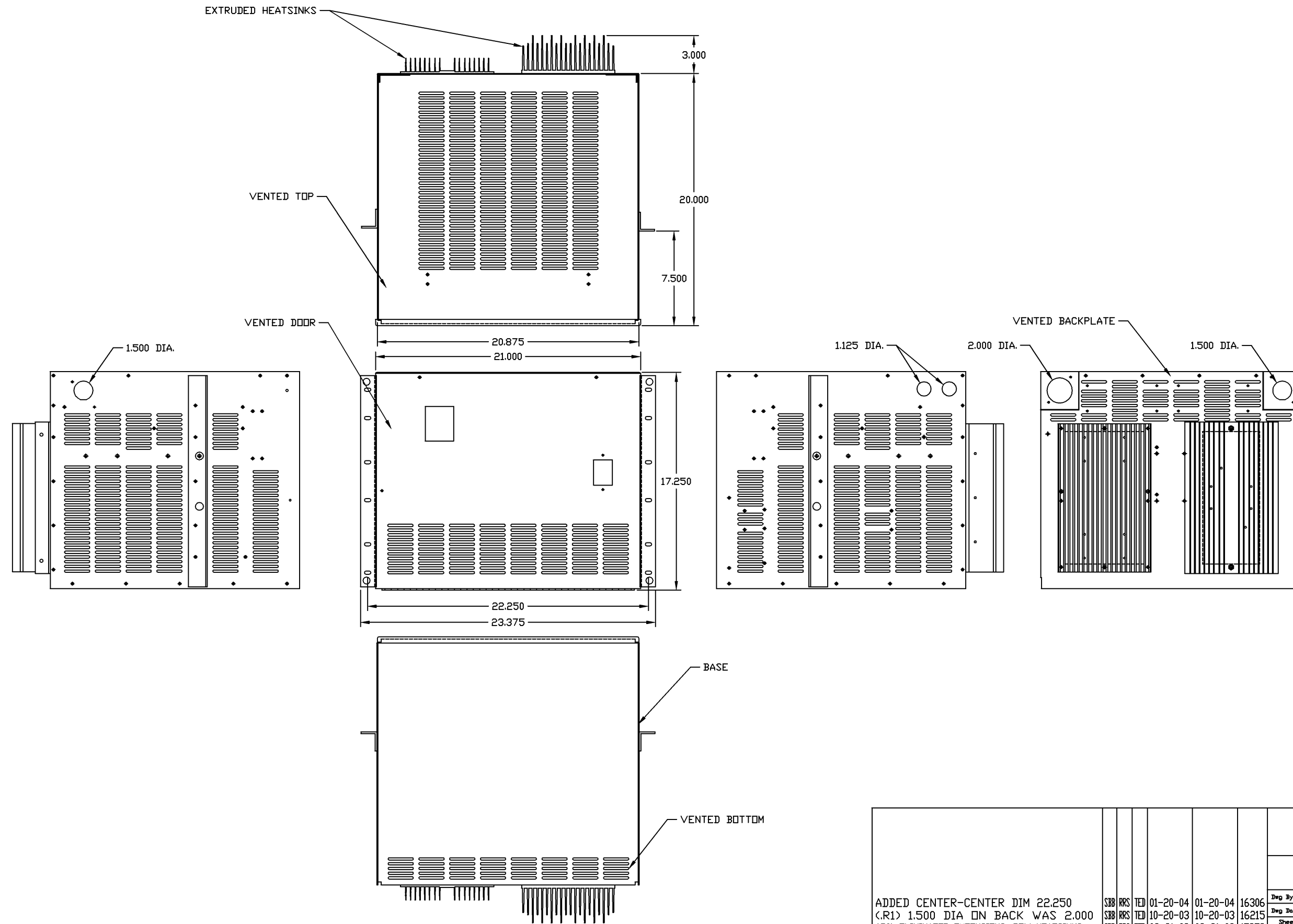
								<small>UNLESS OTHERWISE SPECIFIED: DIMENSIONS ARE IN INCHES TOLERANCES: .XX ± .05 .XXX ± .015 ANGLE: ± 0.5° RADIUS: ± 0.015</small>		 LaMARCHE 106 Bradrock Drive Des Plaines, Illinois 60018 U.S.A. Tel. 847-299-1188 http://www.lamarchemfg.com											
								<small>REMOVE ALL BURRS AND BREAK SHARP EDGES .03 MAX</small>		ISOMETRIC VIEW A31 ALL POPULAR CASES											
								<table border="1"> <tr> <td>DRWN BY</td> <td>SBB</td> </tr> <tr> <td>CHKD BY</td> <td>TK</td> </tr> <tr> <td>APRVD BY</td> <td>TK</td> </tr> <tr> <td>DWG DATE</td> <td>09-09-24</td> </tr> <tr> <td>ISS DATE</td> <td>09-09-24</td> </tr> </table>		DRWN BY	SBB	CHKD BY	TK	APRVD BY	TK	DWG DATE	09-09-24	ISS DATE	09-09-24	DWG NO ALL_A31_CASES	
DRWN BY	SBB																				
CHKD BY	TK																				
APRVD BY	TK																				
DWG DATE	09-09-24																				
ISS DATE	09-09-24																				
REV	REV DESCRIPTION	BY	CHK	APP	REV DATE	REV ISS DATE	ECN NO	SHEET 1 OF 1	SCALE 1:6	SIZE D											




NOTE:

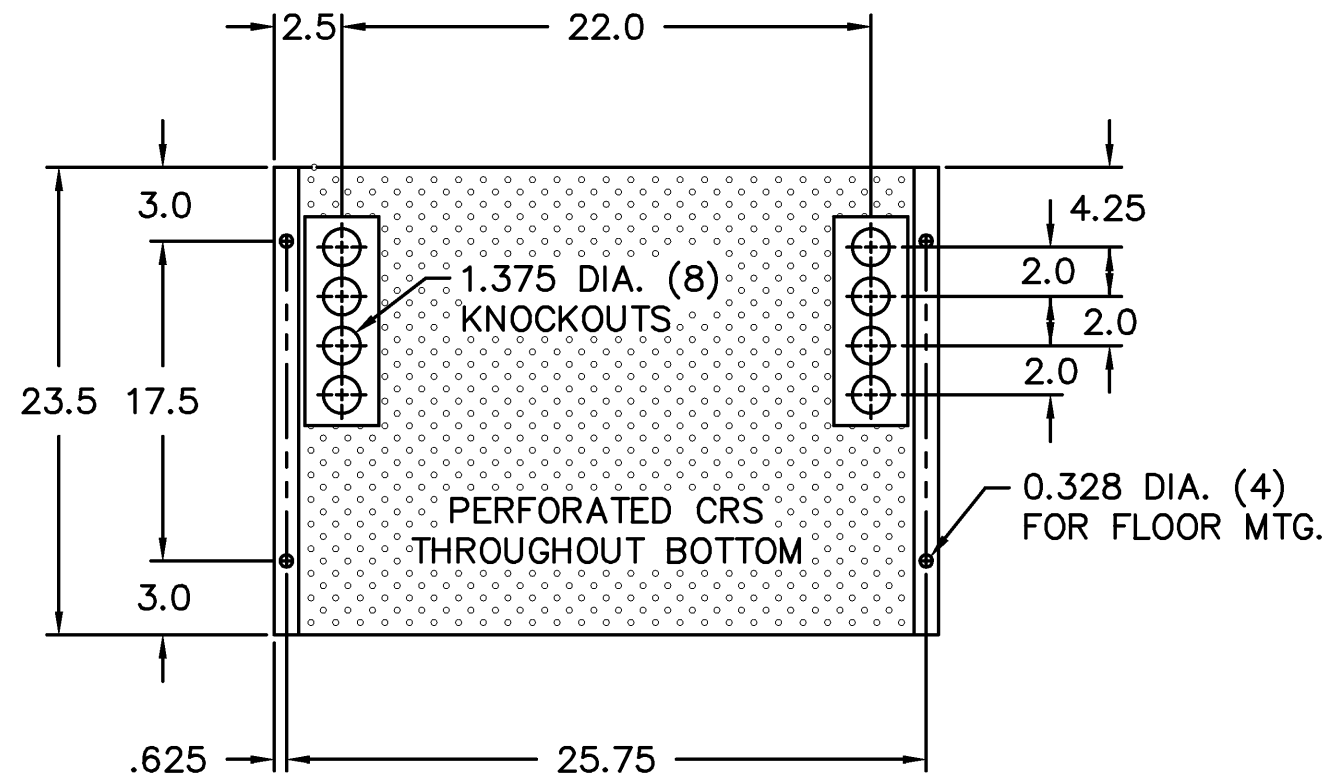
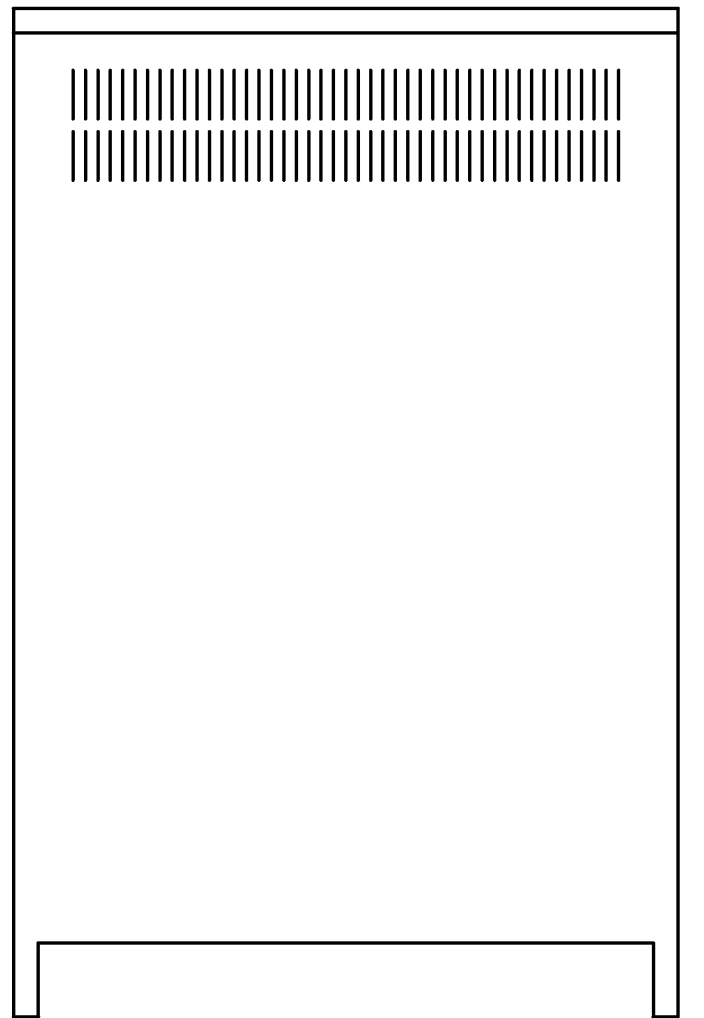
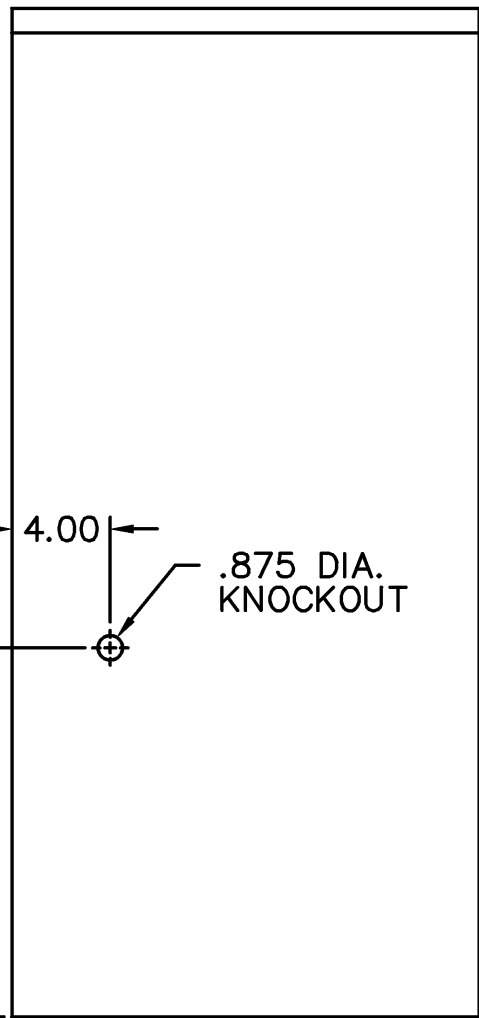
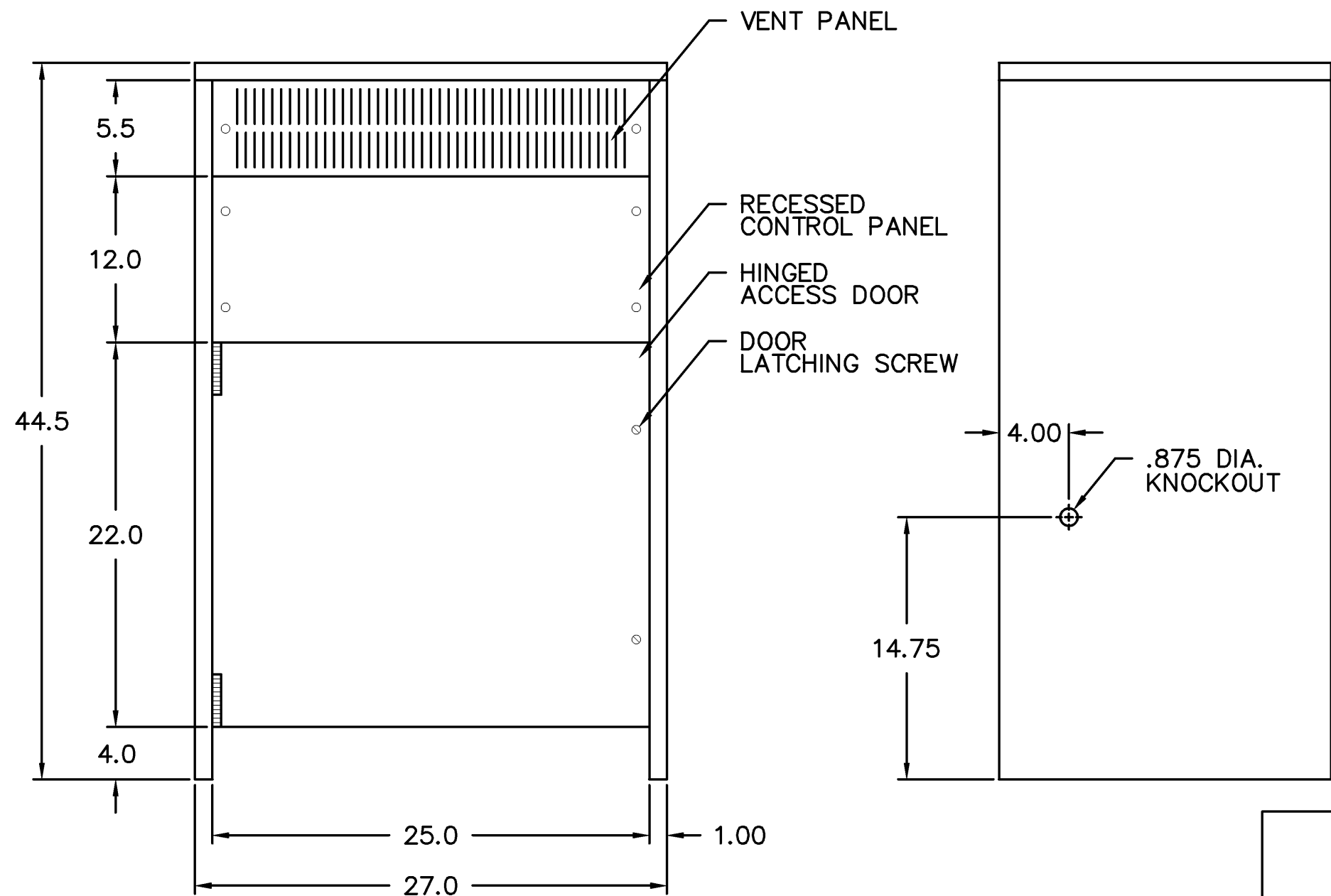
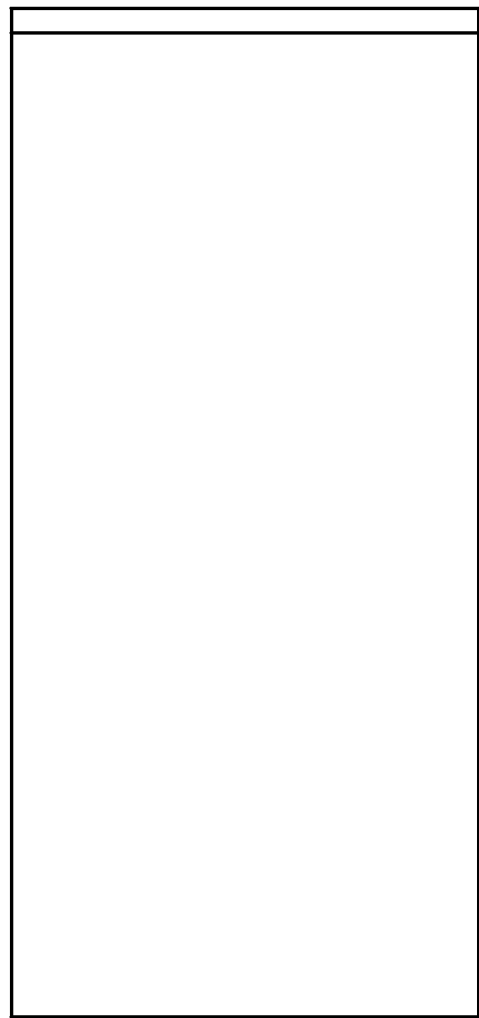
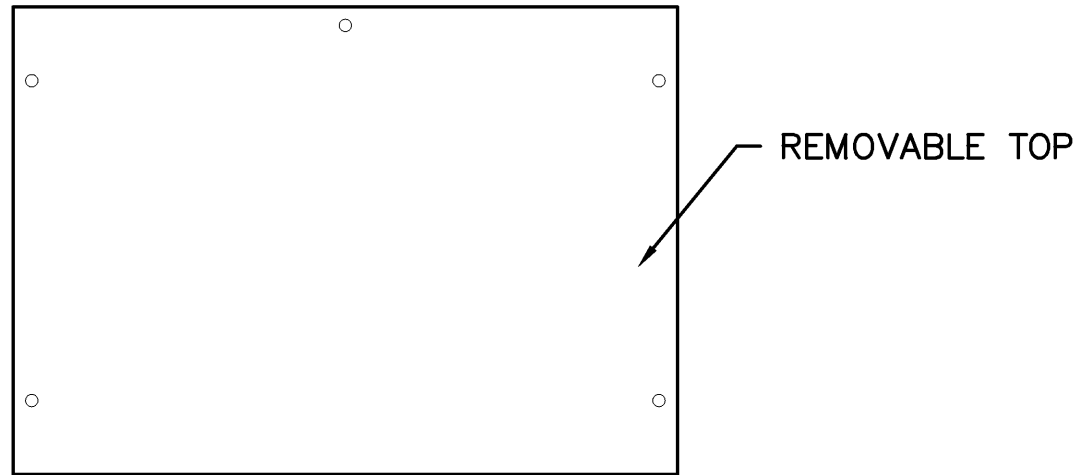
MATERIAL: HOUSING - 14GA. SHEET STEEL, BASE - 12GA. SHEET STEEL
 ALL DIMENSIONS GIVEN IN INCHES
 ALL SURFACES MUST BE DEBURRED & VOID OF SHARP EDGES
 FINISH: DEFINED BY THE LAST LETTER OF THE SPECIFIC PART NO.
 (REPLACING LAST X IN DWG. NO.) IN ACCORDANCE WITH LMC
 ENG. SPEC. NO. A1-3
 TOLERANCE: UNLESS SPECIFIED OTHERWISE: +/- .031
 HOLE DIA. & SLOT SIZE: +/- .005
 CENTER TO CENTER: +/- .015
 ANGLES: +/- .5 DEG.
 PLOT SCALE: 1=1 (FULL) ONLY WHEN PRINT MATCHES DIMENSIONS GIVEN

							MOUNTING DIMENSION DRAWING OF #9D CASE				
							 106 Bradrock Drive Des Plaines, Illinois U.S.A. 60018				
Dwg By		CJA		App By		RRS		App By		TOS	
Dwg Date		05-17-91		Iss Date		05-17-91		Scale		NONE	
Sheet		1 of 1		Size		B		Dwg No		D9D	
Rev Description		By	Chk	App	Rev Date	Rev Iss Date	ECN No				
ADDED CENTER-CENTER DIM 22.250 (.R1) HEATSINK DIM. WAS 3.75" (.R0)		SBB	RRS	TED	01-20-04	01-20-04	16306				
		SBB	RRS	TED	03-28-03	03-28-03	15872				
					11-11-93	11-11-93	8690				



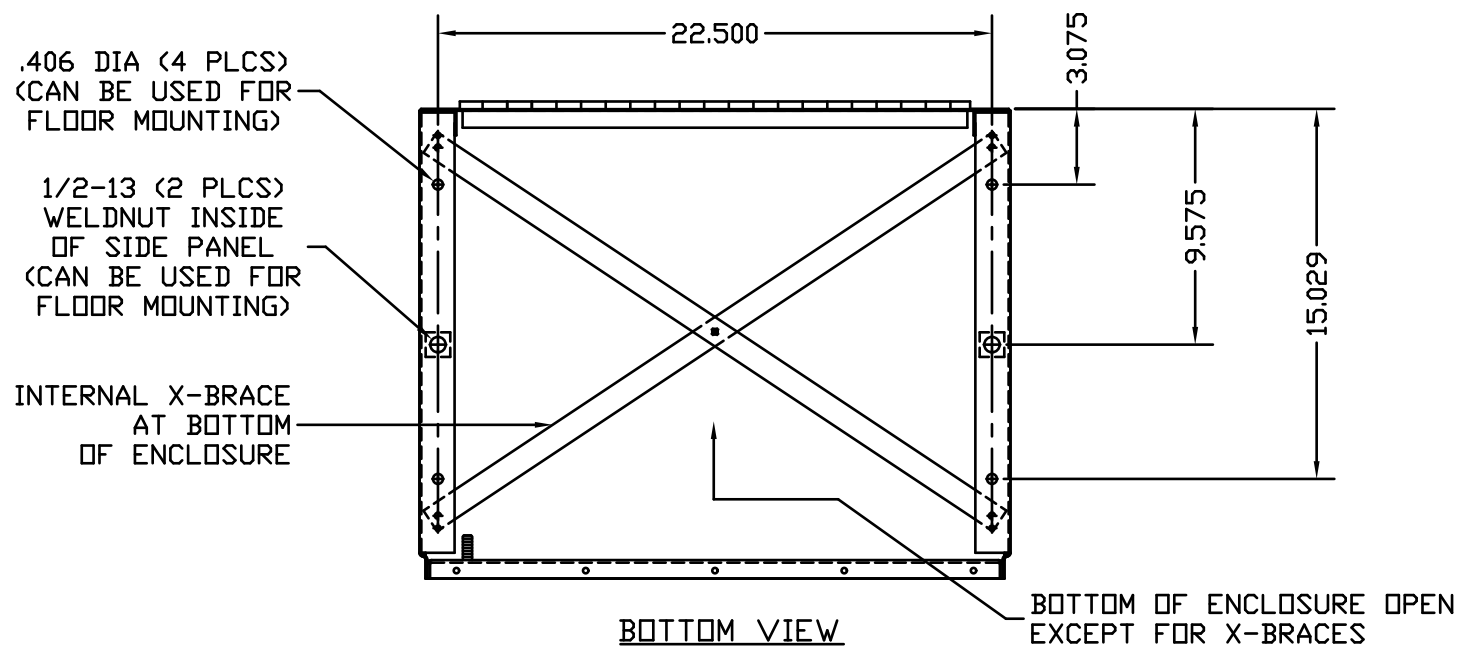
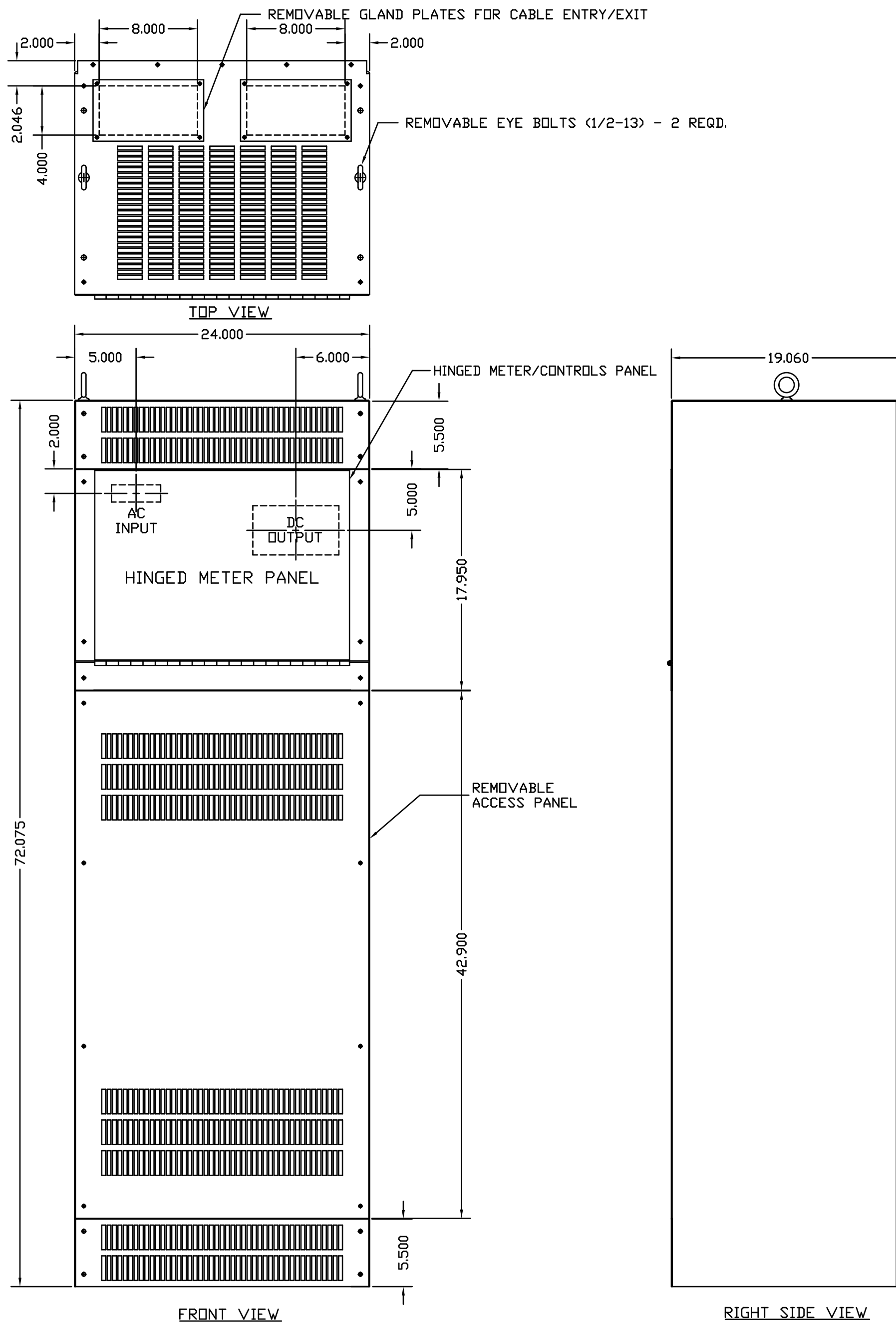
							MOUNTING DIMENSION DRAWING OF #9E CASE		
							 106 Broadrock Drive Des Plaines, Illinois U.S.A. 60018		
Dwg By	KES	App By	RRS	App By	TED	16306	Dwg No	D9E	
Dwg Date	03-08-91	Iss Date	03-08-91	Scale	NONE		Sheet	1 of 1	
Rev	By	Chk	App	Rev Date	Rev Iss Date	ECN No	Size	B	
	SBB	RRS	TED	01-20-04	01-20-04	16306			
	SBB	RRS	TED	10-20-03	10-20-03	16215			
	SBB	RRS	TED	03-31-03	03-31-03	15872			

ADDED CENTER-CENTER DIM 22.250
 (R1) 1.500 DIA ON BACK WAS 2.000
 (R0) ELIMINATED EXTENSIONS, REV HEATSINKS




NOTE:
 HOUSING: 14ga. SHEET STEEL
 FINISH: PER LMC ENG. SPEC. A1-3

CONV. MANUAL DWG. TO "CAD"						RLD	RRS	TOS	9-17-98	9-17-98	12362
Rev Description						By	Chk	App	Rev Date	Rev Iss Date	ECN No
MOUNTING DIMENSIONS FOR UNIT IN A #72 CASE											
 106 Bradrock Drive Des Plaines, Illinois U.S.A. 60018											
Dwg By DJK		App By RRS		App By TOS							
Dwg Date 9-26-86		Iss Date 9-26-86		Scale NONE							
Sheet 1 of 1		Size C		Dwg No D72							



NOTE:
ALL DIMENSIONS GIVEN IN INCHES
STANDARD FINISH: ANSI-61 GREY

						MOUNTING DIMENSIONS OF CASE #44		
						 106 Bradrock Drive Des Plaines, Illinois U.S.A. 60018		
Dwg By		WRH	App By		RRS	App By		TOS
Dwg Date		04-13-88	Iss Date		04-13-88	Scale		NONE
Sheet		1 of 1	Size		C	Dwg No		D44
Rev Description		By	Chk	App	Rev Date	Rev Iss Date	ECN No	
ADDED BOTTOM VIEW (R0)		SBB	RRS	TED	07-25-03	07-25-03	16087	
					08-08-97	08-08-97	11072	