



ISO 9001:2015 Certified

HINDLEPOWER COMPANION PRODUCT

Best Battery Selector



JF5048-00

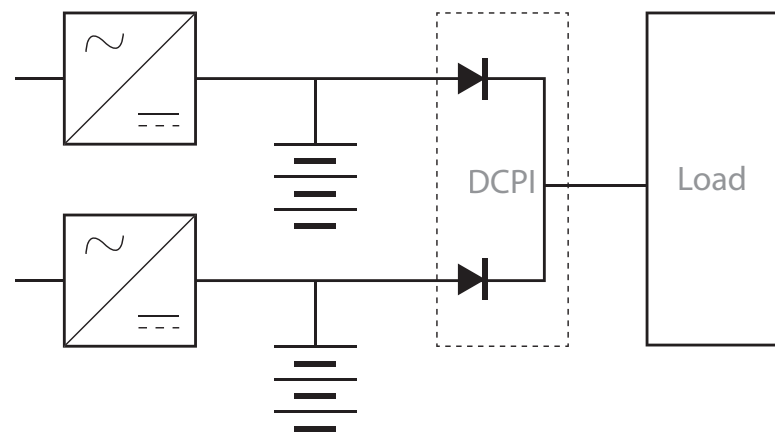
Best Battery Selector



True dc system protection and redundancy

Using a Best Battery Selector (BBS) is an effective and low cost method of providing true battery system protection and redundancy. When two or more batteries are paralleled, electrical isolation is required so that system redundancy is not compromised.

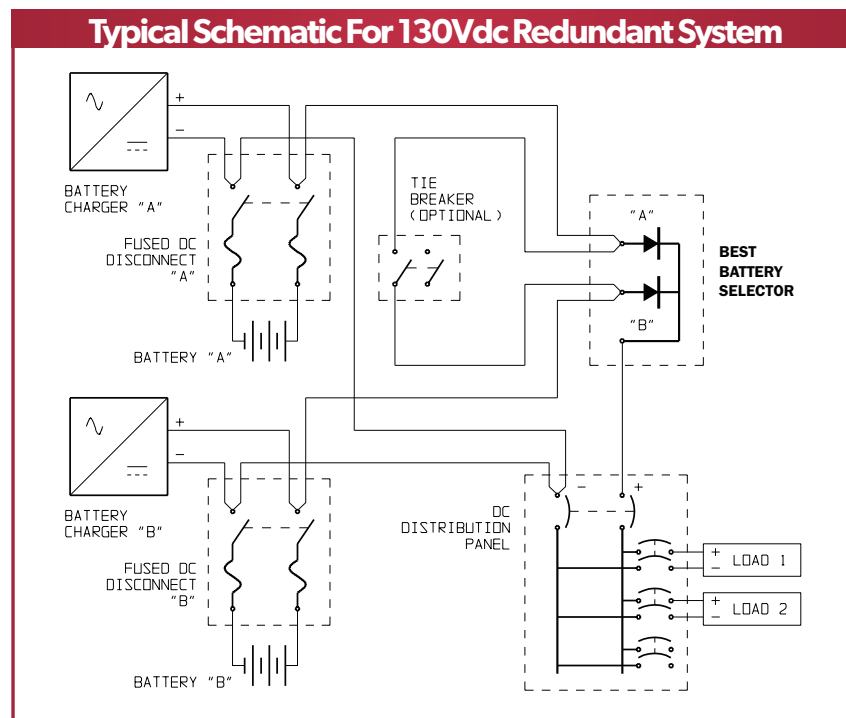
The BBS is a power diode arrangement that uses multiple parallel battery circuits while ensuring that no single battery will ever be a burden on the system.



- **Solid state design**
- **Automatic Operation**
- **No Maintenance Required**
- **NEMA Type 1 Enclosure**
- **Convection Cooled**

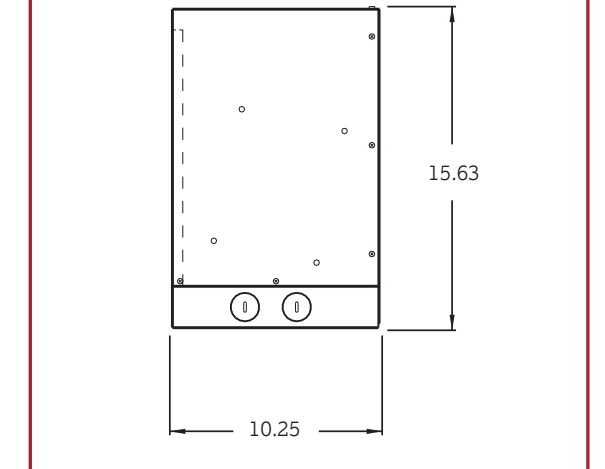
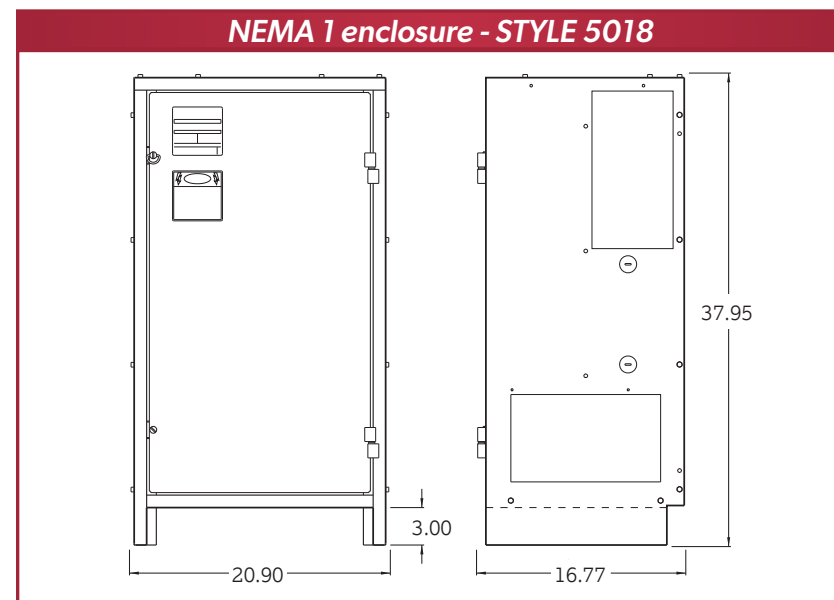
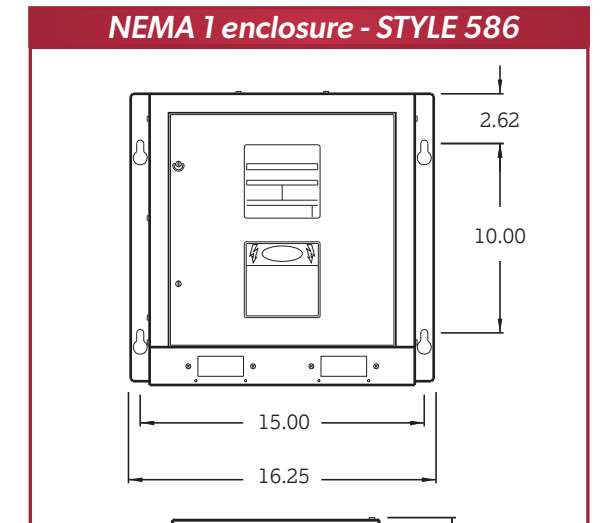
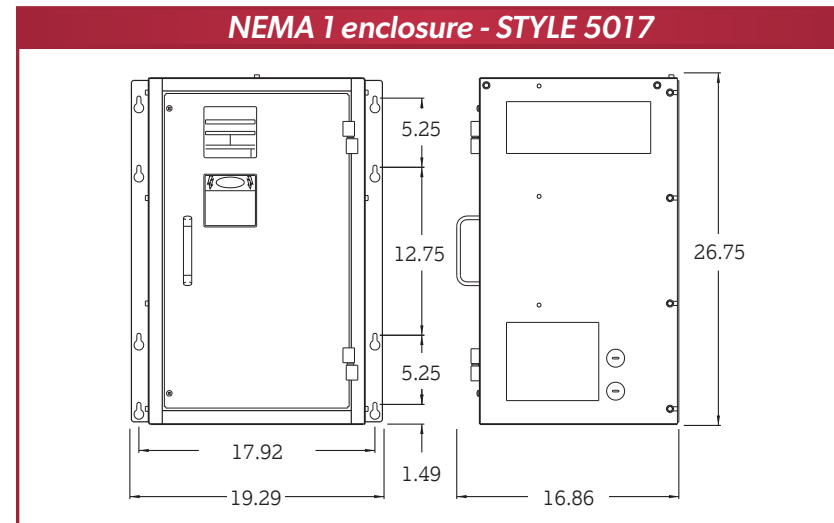
The BBS is a passive device that requires no user intervention and helps to ensure battery viability regardless of any battery's health. It does not rely on mechanical or operator intervention.

- **Uniform shared discharge of both battery banks.**
- **Seamless transfer of supply from either bus.**
- **Isolation ensures system integrity in the event of failure on either bus.**



Specification Chart Standard Best Battery Selector Models

HindlePower p/n	Voltage (max)	Current (continuous @ 50°C)	Current (1 sec)	Current (30sec 50°C)	Battery / Charger Quantity	Enclosure Style	CU-AL Lug Connector
EJ5144-20	250	50	1000	450	2	586	#14- 1/0 AWG
EJ5144-01	250	100	1000	450	2	5017	#6 AWG- 350 MCM
EJ5144-02	250	200	1000	450	2	5017	#6 AWG- 350 MCM
EJ5144-03	250	500	3500	2000	2	5017	#2 AWG- 600 MCM
EJ5144-24	600	50	1000	450	2	586	#14- 1/0 AWG
EJ5144-05	600	100	1000	450	2	5017	#6 AWG- 350 MCM
EJ5144-06	600	200	1000	450	2	5017	#6 AWG- 350 MCM
EJ5144-07	600	500	3500	2000	2	5017	#2 AWG- 600 MCM
EJ5144-12	600	750	8700	6800	2	5018	(2) 300- 800 MCM
EJ5144-09	250	100	1000	450	3	5017	#6 AWG- 350 MCM
EJ5144-10	250	200	1000	450	3	5017	#6 AWG- 350 MCM
EJ5144-11	250	500	3500	2000	3	5018	#2 AWG- 600 MCM



Operating Manual



Standard Drawings

Specifications subject to change



HindlePower, Inc.
1075 Saint John Street
Easton, PA 18042
www.hindlepowerinc.com
610.330.9000