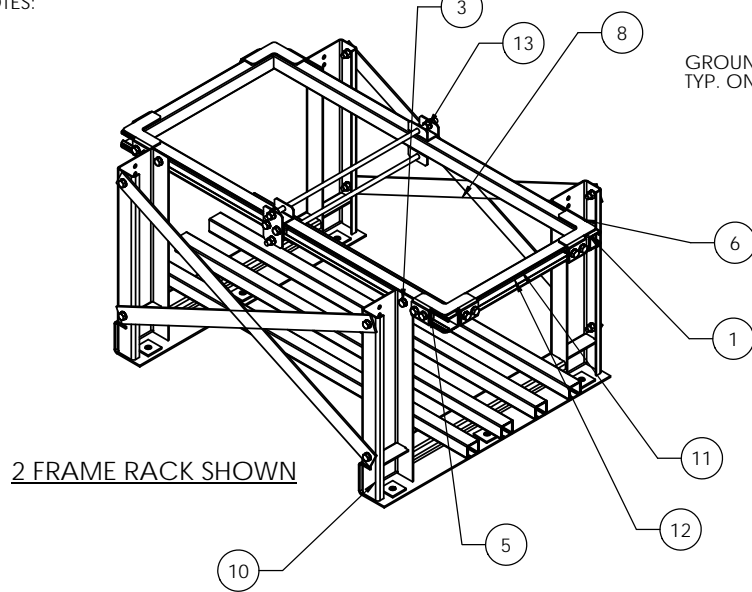
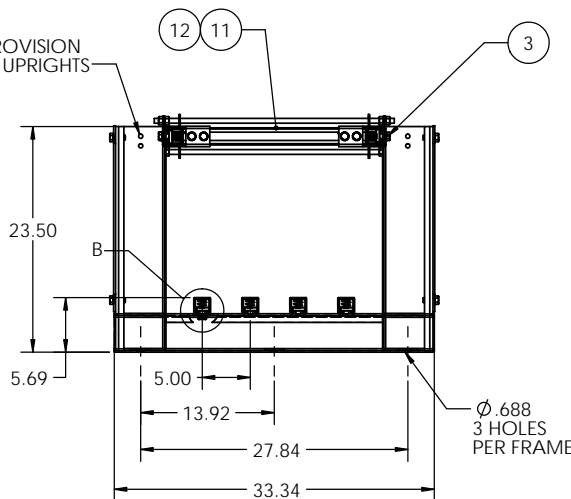


NOTES:



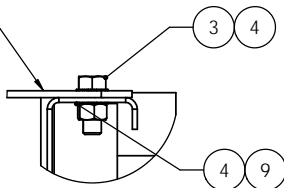
2 FRAME RACK SHOWN

GROUND PROVISION
TYP. ON ALL UPRIGHTS

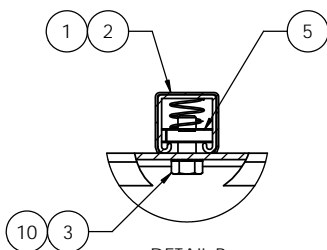


TYP END VIEW

CROSS BRACE



DETAIL A
SCALE 3 : 8



DETAIL B
SCALE 3 : 8
DETAIL IS TYP ON ALL RAILS/BRACES

REVISIONS			
REV.	DESCRIPTION	DATE	APPROVED
A	INITIAL RELEASE	7-22-10	RNA
B	UPDATE PER CERTIFICATION CHANGES	7-20-11	RNA

RACK DIMENSIONS AND OTHER SPECS					
PAR NUMBER	RACK LENGTH DIM "L" (FT)	DIM "A" (IN)	DIM "B" (IN)	DIM "C" (IN)	WEIGHT
WR487-1T1R-48-Z4	4	6	36	N/A	157
WR487-1T1R-60-Z4	5	12	36	N/A	169
WR487-1T1R-72-Z4	6	12	48	N/A	185
WR487-1T1R-84-Z4	7	6	36	N/A	252
WR487-1T1R-96-Z4	8	12	36	N/A	264
WR487-1T1R-108-Z4	9	6	48	N/A	284
WR487-1T1R-120-Z4	10	12	48	N/A	297
WR487-1T1R-132-Z4	11	12	36	36	359
WR487-1T1R-144-Z4	12	12	48	36	375
WR487-1T1R-156-Z4	13	6	48	48	396
WR487-1T1R-168-Z4	14	12	48	48	408
WR487-1T1R-180-Z4	15	6	48	36	469
WR487-1T1R-192-Z4	16	12	48	36	481
WR487-1T1R-204-Z4	17	6	48	48	502
WR487-1T1R-216-Z4	18	12	48	48	514
WR487-1T1R-228-Z4	19	6	48	36	575
WR487-1T1R-240-Z4	20	12	48	36	587

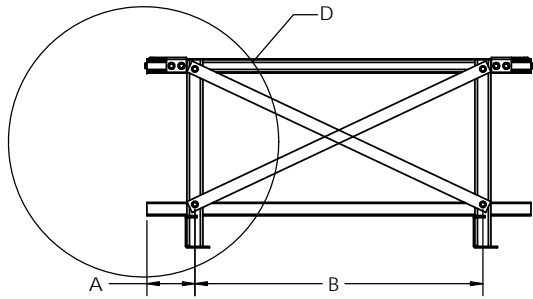
BRACE TABLE			
RACK MODEL	RACK LENGTH (FT)	BRACE P/N	
		BRC-010400	BRC-010500
WR487-1T1R-48-Z4	4	4	N/A
WR487-1T1R-60-Z4	5	4	N/A
WR487-1T1R-72-Z4	6	N/A	4
WR487-1T1R-84-Z4	7	8	N/A
WR487-1T1R-96-Z4	8	8	N/A
WR487-1T1R-108-Z4	9	N/A	8
WR487-1T1R-120-Z4	10	N/A	8
WR487-1T1R-132-Z4	11	12	NA
WR487-1T1R-144-Z4	12	8	4
WR487-1T1R-156-Z4	13	N/A	12
WR487-1T1R-168-Z4	14	N/A	12
WR487-1T1R-180-Z4	15	8	8
WR487-1T1R-192-Z4	16	8	8
WR487-1T1R-204-Z4	17	N/A	16
WR487-1T1R-216-Z4	18	N/A	16
WR487-1T1R-228-Z4	19	8	12
WR487-1T1R-240-Z4	20	8	12

PARTS LIST			4'	5'	6'	7'	8'	9'	10'	11'	12'	13'	14'	15'	16'	17'	18'	19'	20'	
1	FRM-023900	FRAME, 1 TIER, ZONE 4, OP2S 2125-2500	2	2	2	3	3	3	3	4	4	4	4	5	5	5	5	6	6	6
2	BTR-000300	RAIL, BATTERY, 1.625 X 1.625 X "L"	6	6	6	6	6	6	6	6	6	6	6	6	6	6	6	6	6	6
3	MIS-000300	PLASTIC COVER, BATT. RAIL, "L"	6	6	6	6	6	6	6	6	6	6	6	6	6	6	6	6	6	6
4	HEXBOLT1/2-13X1-1/4ZINC	HBOLT 1/2-13x1-1/4", Z.P.	36	36	36	46	46	46	46	56	56	56	56	66	66	66	66	76	76	76
5	EXTTOOTHWASHER1/2ZC	WASHER, LOCK, EXTERNALTOOTH, 1/2" ZC	44	44	44	58	58	58	58	72	72	72	72	86	86	86	86	100	100	100
6	P1010	NUT, UNISTRUT, 1/2-13	28	28	28	34	34	34	34	40	40	40	40	46	46	46	46	52	52	52
7	BKT-000902	BRACKET, END, SHORT, 1/2" HDWR	4	4	4	4	4	4	4	4	4	4	4	4	4	4	4	4	4	4
8	BKT-002102	BRACKET, END, BOTTOM, 1/2" HDWR	4	4	4	4	4	4	4	4	4	4	4	4	4	4	4	4	4	4
9	MIS-002300	PLASTIC COVER, BATT. RAIL, 19" LONG	2	2	2	2	2	2	2	2	2	2	2	2	2	2	2	2	2	2
10	BRC-002900	END BRACE, WET CELL RACK, Z4, 19"	2	2	2	2	2	2	2	2	2	2	2	2	2	2	2	2	2	2
11	SEE BRACE TABLE	BRACE, CROSS	REFERENCE BRACE TABLE FOR BRACE TYPE AND QTY.																	
12	HEXNUT1/2-13ZINC	HEX NUT, 1/2-13, ZINC	8	8	8	12	12	12	12	16	16	16	16	20	20	20	20	24	24	24
13	KIT-003725	INTER. SUPPORT, WET CELL, 1/2" HDWR, 25"	0	0	0	1	1	1	1	2	2	2	2	2	2	2	2	2	2	2

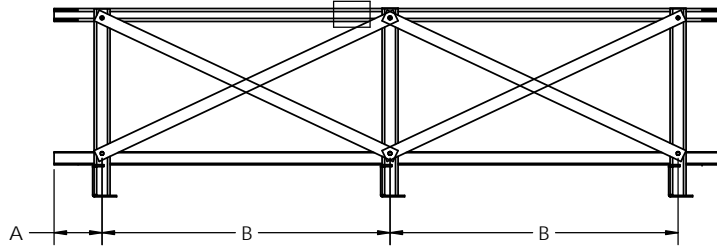
NOTES:

1. EPOXY POWDER COATED FRAMES
2. STANDARD RAILS AND SEISMIC BRACES ARE GALVANIZED.
3. REFER TO PAGE 2 FOR FRAME TO FRAME DIMENSIONS DEPENDING ON THE LENGTH OF RACK.
4. BRACES USED ARE DEPENDENT ON DIMENSIONS BETWEEN FRAMES. REFERENCE PAGE 2 AND BRACE TABLES TO DETERMINE LOCATION OF BRACES DEPENDING ON THE BRACE'S LENGTHS.

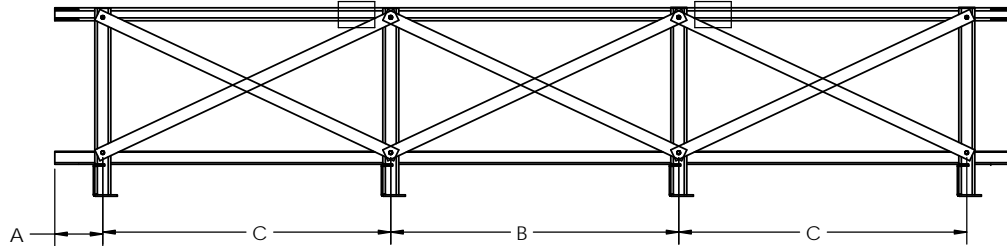
UNLESS OTHERWISE SPECIFIED			
DIMENSIONS ARE IN INCHES			
TOLERANCES:			
ANGULAR: MACH ± .5 BEND ± 1			
TWO PLACE DECIMAL ± .01			
THREE PLACE DECIMAL ± .005			
DRAWN	NAME	DATE	TITLE:
CHECKED		7-22-10	STT SERIES 2125-2500, 1 TIER/1 ROW ZONE 4 RACKS
ENG APPR			SIZE DWG. NO. REV
MFG APPR			C WR487-1T1R Z4 B
DO NOT SCALE DRAWING			SCALE: 1:8 WEIGHT: SHEET 1 OF 2



4' - 6" RACKS (2 FRAMES)

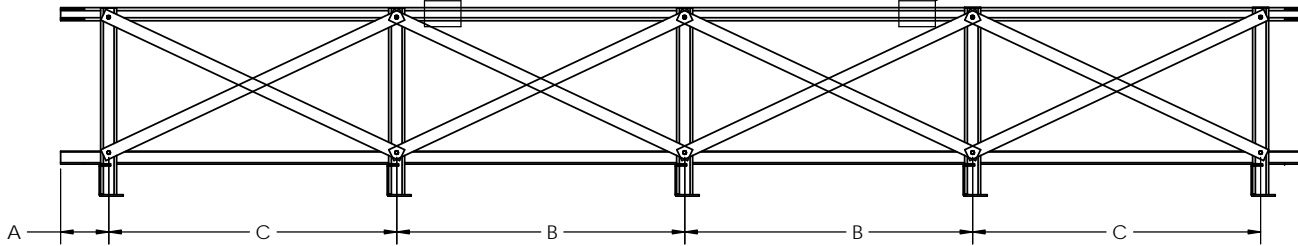


7' - 10" RACKS (3 FRAMES)

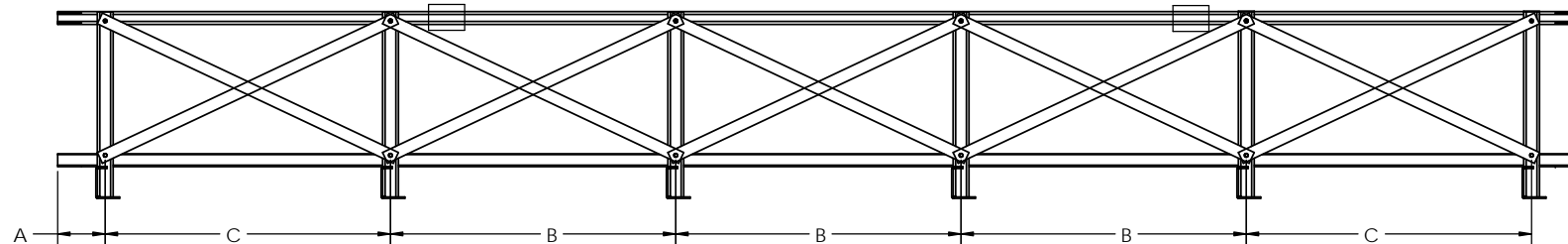


11' - 14" RACKS (4 FRAMES)

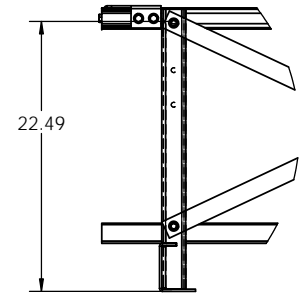
INTERMEDIATE SUPPORTS
LOCATE APPROXIMATELY AS SHOWN.
TYP ON RACKS REQUIRED



15' - 18" RACKS (5 FRAMES)



19' - 20" RACKS (6 FRAMES)



DETAIL D
DETAILS SHOWS HEIGHT PLACEMENT
OF SEISMIC BRACING. THE HEIGHT
IS DEPENDENT ON THE MODEL OF
OPzS BATTERY

THE RACKS SHOWN IN THIS VIEW ARE FOR
REFERENCE ONLY. USE DIMENSIONS
SHOWN FOR ASSEMBLY. ACTUAL RACK
MAY LOOK DIFFERENT