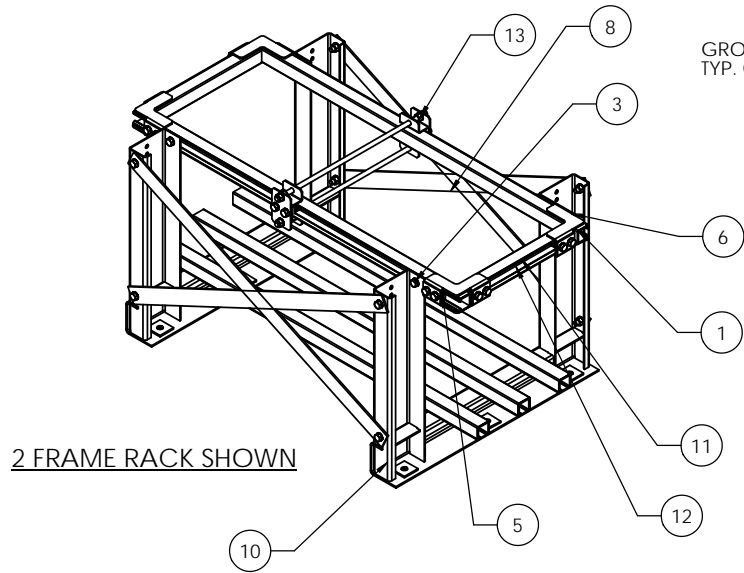
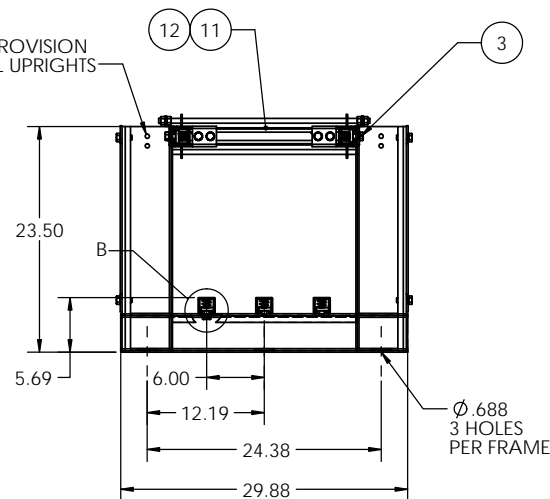


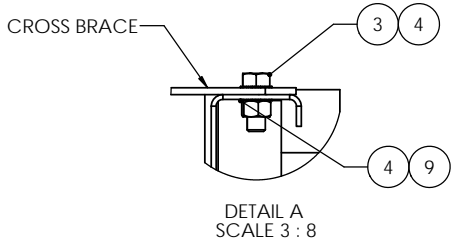
NOTES:



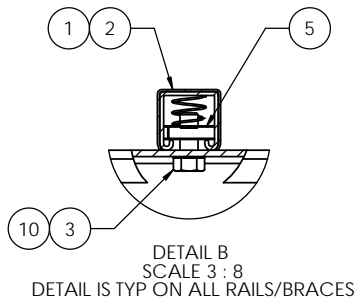
GROUND PROVISION TYP. ON ALL UPRIGHTS



TYP END VIEW



DETAIL A SCALE 3 : 8



DETAIL B SCALE 3 : 8
DETAIL IS TYP ON ALL RAILS/BRACES

REVISIONS			
REV.	DESCRIPTION	DATE	APPROVED
A	INITIAL RELEASE	7-22-10	RNA
B	UPDATE PER CERTIFICATION CHANGES	7-20-11	RNA

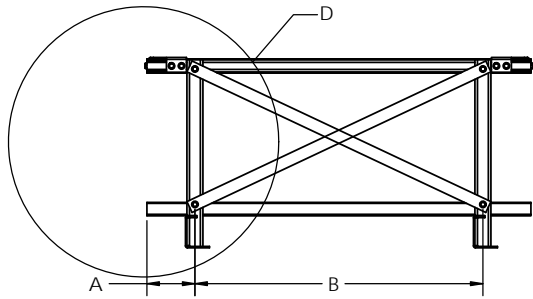
RACK DIMENSIONS AND OTHER SPECS					
PAR NUMBER	RACK LENGTH DIM "L" (FT)	DIM "A" (IN)	DIM "B" (IN)	DIM "C" (IN)	WEIGHT
WR399-1T1R-48-Z4	4	6	36	N/A	144
WR399-1T1R-60-Z4	5	12	36	N/A	154
WR399-1T1R-72-Z4	6	12	48	N/A	169
WR399-1T1R-84-Z4	7	6	36	N/A	233
WR399-1T1R-96-Z4	8	12	36	N/A	243
WR399-1T1R-108-Z4	9	6	48	N/A	262
WR399-1T1R-120-Z4	10	12	48	N/A	272
WR399-1T1R-132-Z4	11	12	36	36	332
WR399-1T1R-144-Z4	12	12	48	36	346
WR399-1T1R-156-Z4	13	6	48	48	365
WR399-1T1R-168-Z4	14	12	48	48	375
WR399-1T1R-180-Z4	15	6	48	36	434
WR399-1T1R-192-Z4	16	12	48	36	444
WR399-1T1R-204-Z4	17	6	48	48	463
WR399-1T1R-216-Z4	18	12	48	48	473
WR399-1T1R-228-Z4	19	6	48	36	531
WR399-1T1R-240-Z4	20	12	48	36	542

BRACE TABLE			
RACK MODEL	RACK LENGTH (FT)	BRACE P/N	
		BRC-010400	BRC-010500
WR399-1T1R-48-Z4	4	4	N/A
WR399-1T1R-60-Z4	5	4	N/A
WR399-1T1R-72-Z4	6	N/A	4
WR399-1T1R-84-Z4	7	8	N/A
WR399-1T1R-96-Z4	8	8	N/A
WR399-1T1R-108-Z4	9	N/A	8
WR399-1T1R-120-Z4	10	N/A	8
WR399-1T1R-132-Z4	11	12	NA
WR399-1T1R-144-Z4	12	8	4
WR399-1T1R-156-Z4	13	N/A	12
WR399-1T1R-168-Z4	14	N/A	12
WR399-1T1R-180-Z4	15	8	8
WR399-1T1R-192-Z4	16	8	8
WR399-1T1R-204-Z4	17	N/A	16
WR399-1T1R-216-Z4	18	N/A	16
WR399-1T1R-228-Z4	19	8	12
WR399-1T1R-240-Z4	20	8	12

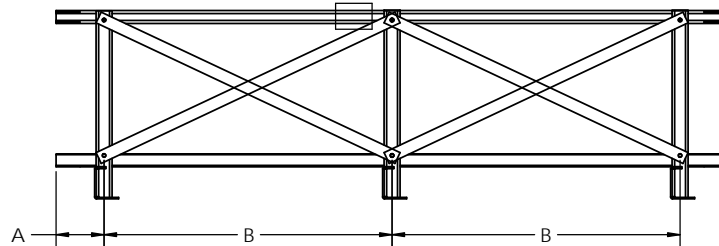
PARTS LIST			4'	5'	6'	7'	8'	9'	10'	11'	12'	13'	14'	15'	16'	17'	18'	19'	20'	
1	FRM-023600	FRAME, 1 TIER, ZONE 4, OPzS 1625-2000	2	2	2	3	3	3	3	4	4	4	4	4	5	5	5	5	6	6
2	BTR-000300	RAIL, BATTERY, 1.625 X 1.625 X "L"	5	5	5	5	5	5	5	5	5	5	5	5	5	5	5	5	5	5
3	MIS-000300	PLASTIC COVER, BATT. RAIL, "L"	5	5	5	5	5	5	5	5	5	5	5	5	5	5	5	5	5	5
4	HEXBOLT1/2-13X1-1/4ZINC	HBOLT 1/2-13x1-1/4", Z.P.	34	34	34	43	43	43	43	52	52	52	52	61	61	61	61	70	70	
5	EXTTOOTHWASHER1/2ZC	WASHER, LOCK, EXTERNALTOOTH, 1/2" ZC	42	42	44	55	55	55	55	68	68	68	68	81	81	81	81	94	94	
6	P1010	NUT,UNISTRUT, 1/2-13	26	26	26	31	31	31	31	36	36	36	36	41	41	41	41	46	46	
7	BKT-000902	BRACKET, END, SHORT, 1/2" HDWR	4	4	4	4	4	4	4	4	4	4	4	4	4	4	4	4	4	
8	BKT-002102	BRACKET, END, BOTTOM, 1/2" HDWR	4	4	4	4	4	4	4	4	4	4	4	4	4	4	4	4	4	
9	MIS-002200	PLASTIC COVER, BATT. RAIL, 15.5" LONG	2	2	2	2	2	2	2	2	2	2	2	2	2	2	2	2	2	
10	BRC-002700	END BRACE, WET CELL RACK, Z4, 15.5"	2	2	2	2	2	2	2	2	2	2	2	2	2	2	2	2	2	
11	SEE BRACE TABLE	BRACE, CROSS	REFERENCE BRACE TABLE FOR BRACE TYPE AND QTY.																	
12	HEXNUT1/2-13ZINC	HEX NUT, 1/2-13, ZINC	8	8	8	12	12	12	12	16	16	16	16	20	20	20	20	24	24	
13	KIT-003723	INTER. SUPPORT, WET CELL, 1/2" HDWR, 23"	0	0	0	1	1	1	1	2	2	2	2	2	2	2	2	2	2	

- NOTES:
- EPOXY POWDER COATED FRAMES
 - STANDARD RAILS AND SEISMIC BRACES ARE GALVANIZED.
 - REFER TO PAGE 2 FOR FRAME TO FRAME DIMENSIONS DEPENDING ON THE LENGTH OF RACK.
 - BRACES USED ARE DEPENDENT ON DIMENSIONS BETWEEN FRAMES. REFERENCE PAGE 2 AND BRACE TABLES TO DETERMINE LOCATION OF BRACES DEPENDING ON THE BRACE'S LENGTHS.

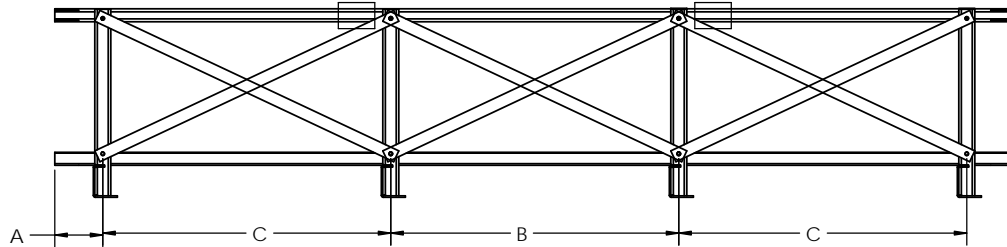
UNLESS OTHERWISE SPECIFIED		DRAWN		NAME	DATE	TITLE:
DIMENSIONS ARE IN INCHES TOLERANCES:		CHECKED			7-22-10	STT SERIES 1625-2000, 1 TIER/1 ROW ZONE 4 RACKS
ANGULAR: MACH ± .5 BEND ±1 TWO PLACE DECIMAL ± .01 THREE PLACE DECIMAL ± .005		ENG APPR				SIZE DWG. NO. REV
PROJECTION:		MFG APPR				C WR399-1T1R Z4 B
MATERIAL: SEE NOTE 1		QA				SCALE: 1:8 WEIGHT: SHEET 1 OF 2
FINISH: SEE NOTE 2						
DO NOT SCALE DRAWING						



4' - 6" RACKS (2 FRAMES)

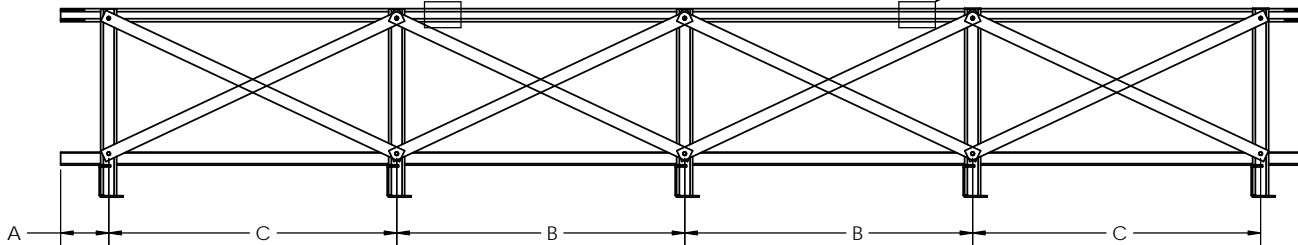


7' - 10" RACKS (3 FRAMES)

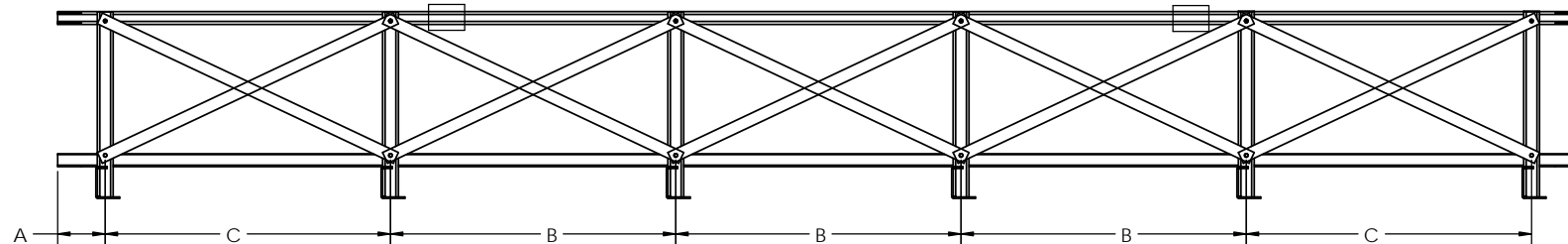


11' - 14" RACKS (4 FRAMES)

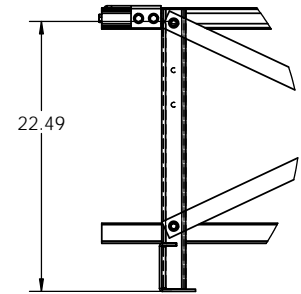
INTERMEDIATE SUPPORTS
LOCATE APPROXIMATELY AS SHOWN.
TYP ON RACKS REQUIRED



15' - 18" RACKS (5 FRAMES)



19' - 20" RACKS (6 FRAMES)



DETAIL D
DETAILS SHOWS HEIGHT PLACEMENT
OF SEISMIC BRACING. THE HEIGHT
IS DEPENDENT ON THE MODEL OF
OPzS BATTERY

THE RACKS SHOWN IN THIS VIEW ARE FOR
REFERENCE ONLY. USE DIMENSIONS
SHOWN FOR ASSEMBLY. ACTUAL RACK
MAY LOOK DIFFERENT