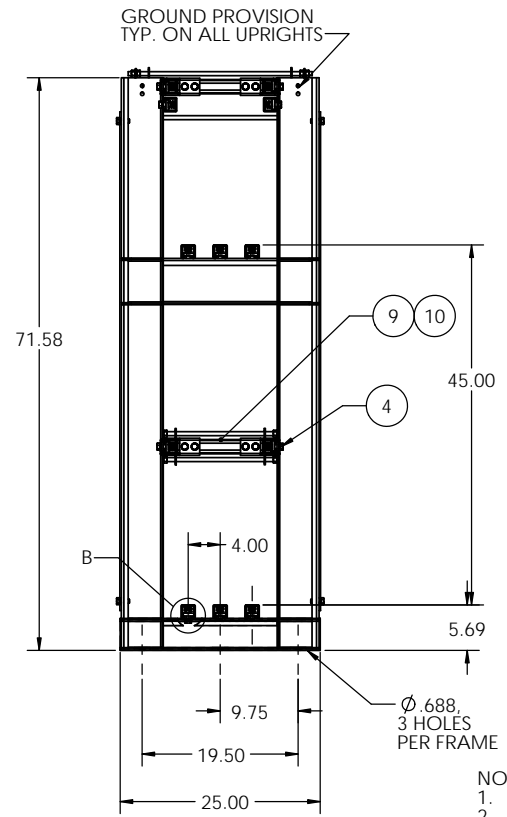
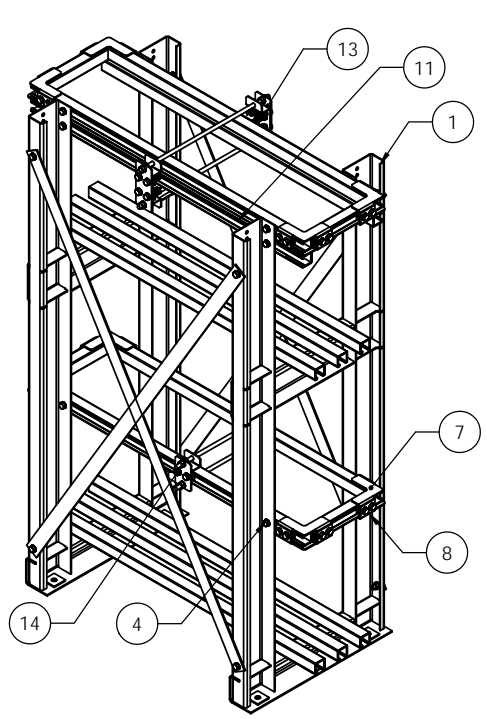


NOTES:

PARTS LIST		4'	5'	6'	7'	8'	9'	10'	11'	12'	13'	14'	15'	16'	17'	18'	19'	20'
1	FRM-058900	FRAME, 2 TIER, ZONE 4, SIT2V 1375-1500																
2	BTR-000300	RAIL, BATTERY, 1.625 X 1.625 X "L"																
3	MIS-000300	PLASTIC COVER, BATT. RAIL, "L"																
4	HEXBOLTI/2-13X1-1/4ZINC	HBOLT 1/2-13 X 1-1/4", Z.P.																
5	EXTTOOTHWASHER1/2ZC	WASHER, LOCK, EXTERNAL TOOTH, 1/2", ZC																
6	P1010	NUT,UNISTRUT, 1/2-13																
7	BKT-000902	BRACKET, END, TOP, 1/2" HOLES																
8	BKT-002102	BRACKET, END, BOTTOM, 1/2" HOLES																
9	MIS-002100	PLASTIC COVER, BATT. RAIL, 10.6																
10	BRC-002600	END BRACE, WET CELL RACK, Z4, 10.6																
11	SEE BRACE TABLE	BRACE, CROSS																
12	HEXNUT1/2-13ZINC	HEX NUT, 1/2-13, ZINC																
13	KIT-003817	INTERMEDIATE SUPPORT, DBL SIRUT, 1/2" HDWR, 17"																
14	KIT-003717	INTERMEDIATE SUPPORT, STD, 1/2" HDWR, 17"																

REVISIONS			
REV.	DESCRIPTION	DATE	APPROVED
A	INITIAL RELEASE	8-19-11	RNA

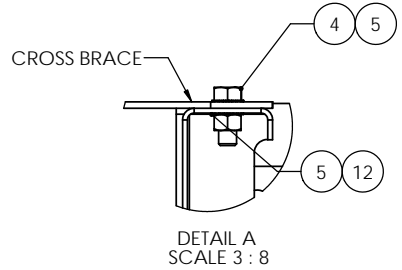
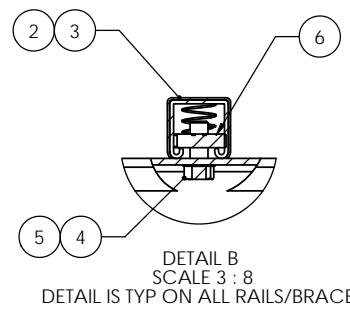
RACK DIMENSIONS AND OTHER SPECS					
PAR NUMBER	RACK LENGTH DIM "L" (FT)	DIM "A" (IN)	DIM "B" (IN)	DIM "C" (IN)	WEIGHT
WR275L-2T1R-48-Z4	4	6	36	N/A	334
WR275L-2T1R-60-Z4	5	12	36	N/A	358
WR275L-2T1R-72-Z4	6	12	48	N/A	385
WR275L-2T1R-84-Z4	7	6	36	N/A	532
WR275L-2T1R-96-Z4	8	12	36	N/A	556
WR275L-2T1R-108-Z4	9	6	48	N/A	586
WR275L-2T1R-120-Z4	10	12	48	N/A	610
WR275L-2T1R-132-Z4	11	12	36	36	755
WR275L-2T1R-144-Z4	12	12	48	36	782
WR275L-2T1R-156-Z4	13	6	48	48	811
WR275L-2T1R-168-Z4	14	12	48	48	835
WR275L-2T1R-180-Z4	15	6	48	36	979
WR275L-2T1R-192-Z4	16	12	48	36	1003
WR275L-2T1R-204-Z4	17	6	48	48	1032
WR275L-2T1R-216-Z4	18	12	48	48	1056
WR275L-2T1R-228-Z4	19	6	48	36	1224



BRACE TABLE			
RACK MODEL	RACK LENGTH (FT)	BRACE P/N	
		BRC-009300	BRC-009400
WR275L-2T1R-48-Z4	4	4	N/A
WR275L-2T1R-60-Z4	5	4	N/A
WR275L-2T1R-72-Z4	6	N/A	4
WR275L-2T1R-84-Z4	7	8	N/A
WR275L-2T1R-96-Z4	8	8	N/A
WR275L-2T1R-108-Z4	9	N/A	8
WR275L-2T1R-120-Z4	10	N/A	8
WR275L-2T1R-132-Z4	11	12	NA
WR275L-2T1R-144-Z4	12	8	4
WR275L-2T1R-156-Z4	13	N/A	12
WR275L-2T1R-168-Z4	14	N/A	12
WR275L-2T1R-180-Z4	15	8	8
WR275L-2T1R-192-Z4	16	8	8
WR275L-2T1R-204-Z4	17	N/A	16
WR275L-2T1R-216-Z4	18	N/A	16
WR275L-2T1R-228-Z4	19	8	12
WR275L-2T1R-240-Z4	20	8	12

2 FRAME RACK SHOWN

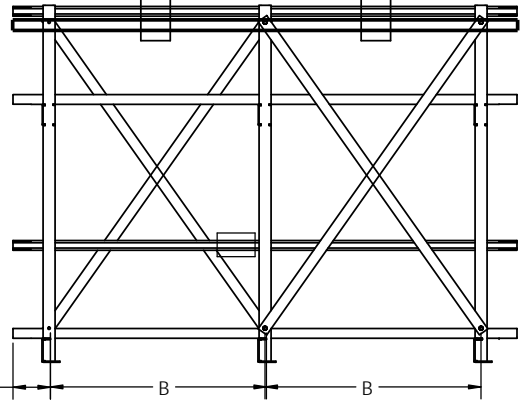
TYP END VIEW



- NOTES:
- EPOXY POWDER COATED FRAMES
 - STANDARD RAILS AND SEISMIC BRACES ARE GALVANIZED.
 - REFER TO PAGE 2 FOR FRAME TO FRAME DIMENSIONS DEPENDING ON THE LENGTH OF RACK.
 - BRACES USED ARE DEPENDENT ON DIMENSIONS BETWEEN FRAMES. REFERENCE PAGE 2 AND BRACE TABLES TO DETERMINE LOCATION OF BRACES DEPENDING ON THE BRACE'S LENGTHS.

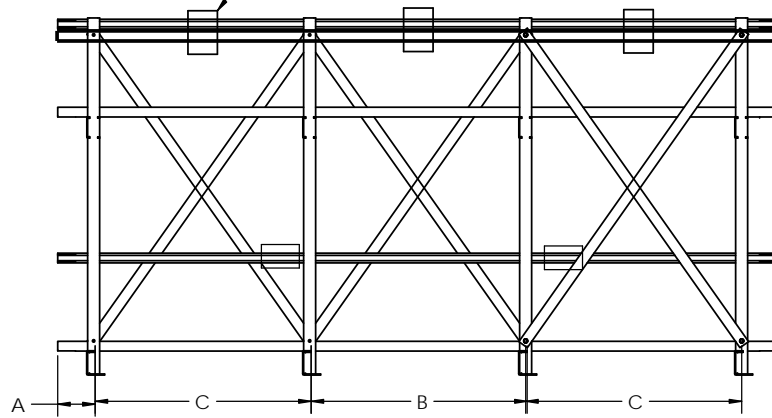
UNLESS OTHERWISE SPECIFIED				DRAWN		NAME		DATE		TITLE: SIT SERIES 1375-1500	
DIMENSIONS ARE IN INCHES				CHECKED		RNA		8-19-11		2 TIER/1 ROW, ZONE 4 RACKS	
TOLERANCES:				ENG APPR						SIZE DWG. NO. REV	
ANGULAR: MACH ± .5 BEND ± 1				MFG APPR						C WR275L-2T1R Z4 A	
TWO PLACE DECIMAL ± .01				QA						SCALE: 1:8 WEIGHT: SHEET 1 OF 2	
THREE PLACE DECIMAL ± .005				DO NOT SCALE DRAWING							

DOUBLE STRUT INTERMEDIATE SUPPORTS, TYP ON ALL UPPER TIERS



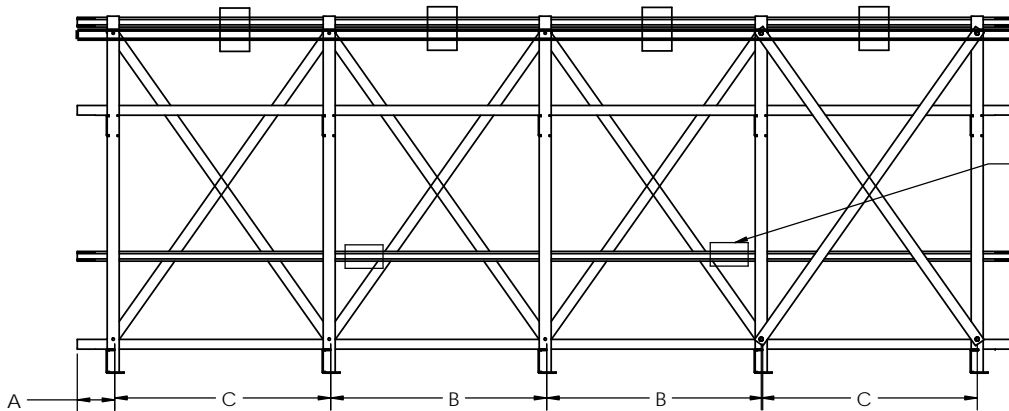
7' - 10' RACKS (3 FRAMES)

LOCARE INTERMEDIATE SUPPORTS APPROXIMATELY MIDSPAN BETWEEN EACH FRAME UPRIGHTS, TYP ALL RACKS

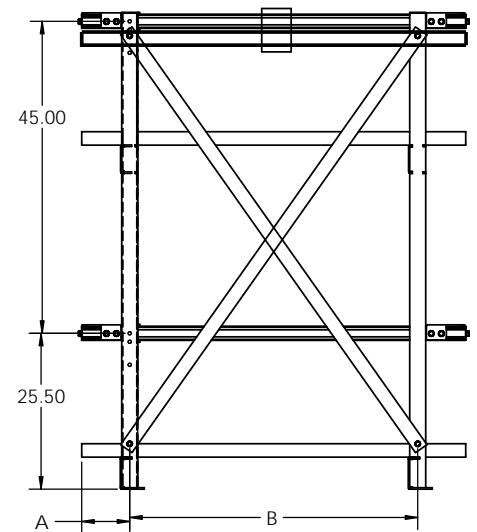


11' - 14' RACKS (4 FRAMES)

LOWER LEVEL INTERMEDIATE SUPPORTS. LOCATE APPROXIMATELY AS SHOWN

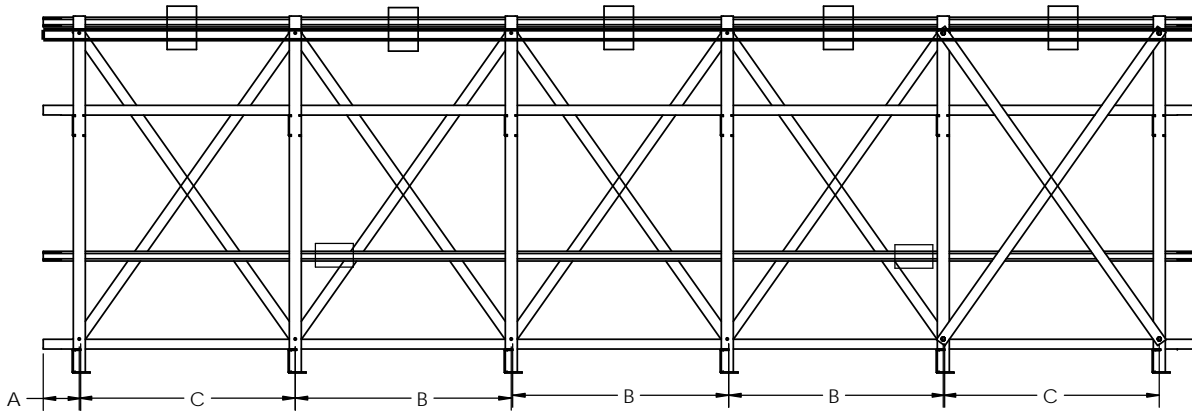


15' - 18' RACKS (5 FRAMES)



4' - 6' RACKS (2 FRAMES)

VIEWS SHOWN FOR REFERENCE ONLY. RACKS SHOWN MAY NOT BE ACTUAL RACKS. USE THIS PAGE FOR SPACING BETWEEN FRAMES ONLY



19' - 20' RACKS (6 FRAMES)