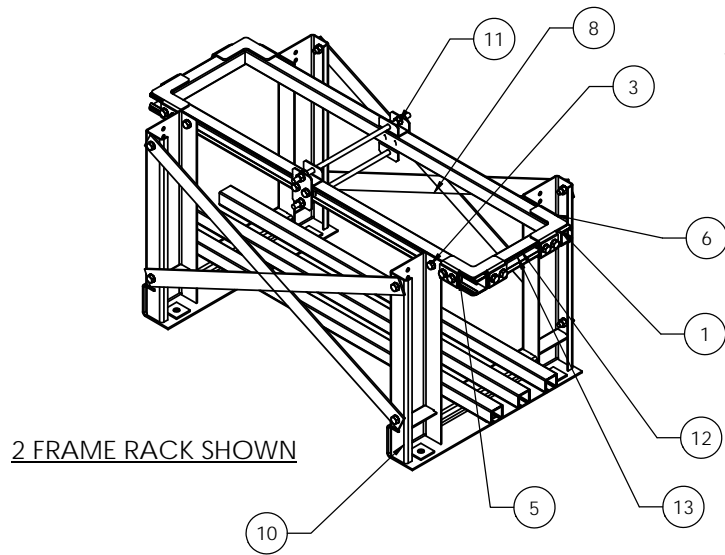
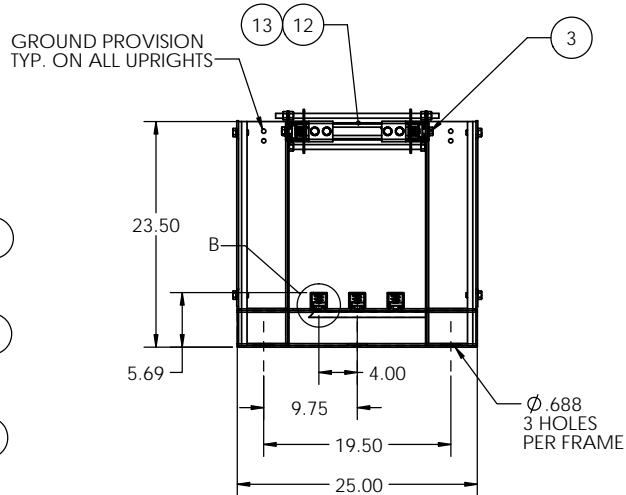


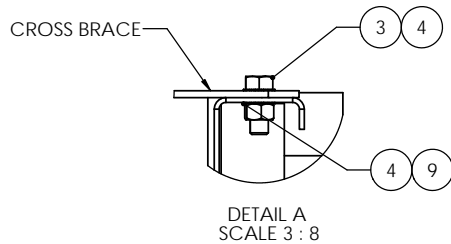
NOTES:



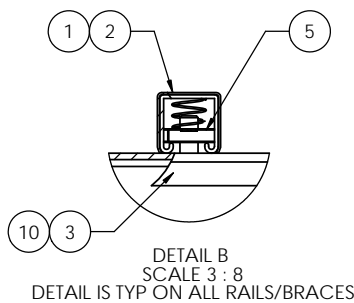
2 FRAME RACK SHOWN



TYP END VIEW



DETAIL A  
SCALE 3 : 8



DETAIL B  
SCALE 3 : 8  
DETAIL IS TYP ON ALL RAILS/BRACES

PARTS LIST

ITEM NO.	PART NUMBER	DESCRIPTION	4'	5'	6'	7'	8'	9'	10'	11'	12'	13'	14'	15'	16'	17'	18'	19'	20'
1	FRM-058500	FRAME, 1 TIER, ZONE 4, STI2V 1375-1500	2	2	2	3	3	3	3	4	4	4	4	5	5	5	5	6	6
2	BTR-000300	RAIL, BATTERY, 1.625 X 1.625 X "L"	5	5	5	5	5	5	5	5	5	5	5	5	5	5	5	5	5
3	MIS-000300	PLASTIC COVER, BATT. RAIL, "L"	5	5	5	5	5	5	5	5	5	5	5	5	5	5	5	5	5
4	HEXBOLT1/2-13X1-1/4ZINC	HBOLT 1/2-13x1-1/4", Z.P.	34	34	34	43	43	43	43	52	52	52	52	61	61	61	61	70	70
5	EXTTOOTHWASHER1/2ZC	WASHER, LOCK, EXTERNALTOOTH, 1/2" ZC	42	42	42	55	55	55	68	68	68	68	81	81	81	81	94	94	94
6	P1010	NUT,UNISTRUT, 1/2-13	26	26	26	31	31	31	31	36	36	36	36	41	41	41	41	46	46
7	BKT-000902	BRACKET, END, SHORT, 1/2" HDWR	4	4	4	4	4	4	4	4	4	4	4	4	4	4	4	4	4
8	BKT-002102	BRACKET, END, BOTTOM, 1/2" HDWR	4	4	4	4	4	4	4	4	4	4	4	4	4	4	4	4	4
9	MIS-002100	PLASTIC COVER, BATT. RAIL, 10.6" LONG	2	2	2	2	2	2	2	2	2	2	2	2	2	2	2	2	2
10	BRC-002600	END BRACE, WET CELL RACK, Z4, 10.6"	2	2	2	2	2	2	2	2	2	2	2	2	2	2	2	2	2
11	SEE BRACE TABLE	BRACE, CROSS	REFERENCE BRACE TABLE FOR BRACE TYPE AND QTY.																
12	HEXNUT1/2-13ZINC	HEX NUT, 1/2-13, ZINC	8	8	8	12	12	12	16	16	16	16	20	20	20	20	24	24	24
13	KIT-003717	INTER. SUPPORT, WET CELL, 1/2" HDWR, 17"	0	0	0	1	1	1	1	2	2	2	2	2	2	2	2	2	2

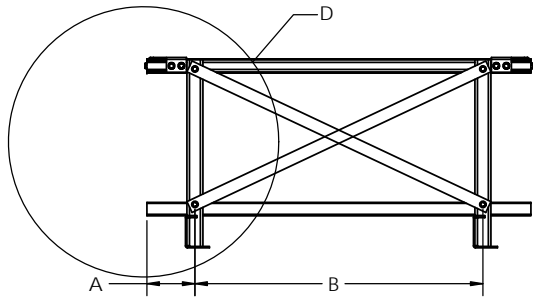
REVISIONS			
REV.	DESCRIPTION	DATE	APPROVED
A	INITIAL RELEASE	8-17-11	RNA

RACK DIMENSIONS AND OTHER SPECS					
PAR NUMBER	RACK LENGTH DIM "L" (FT)	DIM "A" (IN)	DIM "B" (IN)	DIM "C" (IN)	WEIGHT
WR275L-1T1R-48-Z4	4	6	36	N/A	139
WR275L-1T1R-60-Z4	5	12	36	N/A	149
WR275L-1T1R-72-Z4	6	12	48	N/A	163
WR275L-1T1R-84-Z4	7	6	36	N/A	225
WR275L-1T1R-96-Z4	8	12	36	N/A	235
WR275L-1T1R-108-Z4	9	6	48	N/A	254
WR275L-1T1R-120-Z4	10	12	48	N/A	264
WR275L-1T1R-132-Z4	11	12	36	36	321
WR275L-1T1R-144-Z4	12	12	48	36	336
WR275L-1T1R-156-Z4	13	6	48	48	355
WR275L-1T1R-168-Z4	14	12	48	48	365
WR275L-1T1R-180-Z4	15	6	48	36	421
WR275L-1T1R-192-Z4	16	12	48	36	431
WR275L-1T1R-204-Z4	17	6	48	48	450
WR275L-1T1R-216-Z4	18	12	48	48	460
WR275L-1T1R-228-Z4	19	6	48	36	516
WR275L-1T1R-240-Z4	20	12	48	36	526

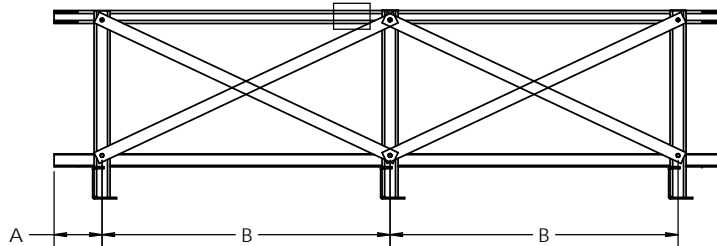
BRACE TABLE			
RACK MODEL	RACK LENGTH (FT)	BRACE P/N	
		BRC-010400	BRC-010500
WR275L-1T1R-48-Z4	4	4	N/A
WR275L-1T1R-60-Z4	5	4	N/A
WR275L-1T1R-72-Z4	6	N/A	4
WR275L-1T1R-84-Z4	7	8	N/A
WR275L-1T1R-96-Z4	8	8	N/A
WR275L-1T1R-108-Z4	9	N/A	8
WR275L-1T1R-120-Z4	10	N/A	8
WR275L-1T1R-132-Z4	11	12	NA
WR275L-1T1R-144-Z4	12	8	4
WR275L-1T1R-156-Z4	13	N/A	12
WR275L-1T1R-168-Z4	14	N/A	12
WR275L-1T1R-180-Z4	15	8	8
WR275L-1T1R-192-Z4	16	8	8
WR275L-1T1R-204-Z4	17	N/A	16
WR275L-1T1R-216-Z4	18	N/A	16
WR275L-1T1R-228-Z4	19	8	12
WR275L-1T1R-240-Z4	20	8	12

- NOTES:
1. EPOXY POWDER COATED FRAMES
  2. STANDARD RAILS AND SEISMIC BRACES ARE GALVANIZED.
  3. REFER TO PAGE 2 FOR FRAME TO FRAME DIMENSIONS DEPENDING ON THE LENGTH OF RACK.
  4. BRACES USED ARE DEPENDENT ON DIMENSIONS BETWEEN FRAMES. REFERENCE PAGE 2 AND BRACE TABLES TO DETERMINE LOCATION OF BRACES DEPENDING ON THE BRACE'S LENGTHS.

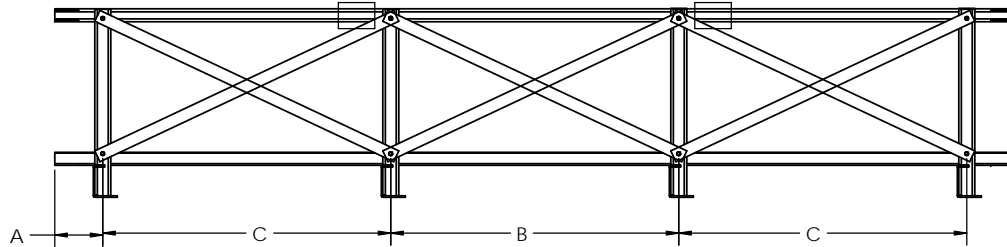
UNLESS OTHERWISE SPECIFIED			
DIMENSIONS ARE IN INCHES			
TOLERANCES:			
ANGULAR: MACH ± .5 BEND ± 1			
TWO PLACE DECIMAL ± .01			
THREE PLACE DECIMAL ± .005			
DRAWN	NAME	DATE	TITLE:
CHECKED		7-22-10	STI SERIES 1375-1500, 1 TIER/1 ROW ZONE 4 RACKS
SEE NOTE 1	ENG APPR		SIZE DWG. NO.
SEE NOTE 2	MFG APPR		C WR275L-1T1R Z4
USED ON	DO NOT SCALE DRAWING		SCALE: 1:8 WEIGHT: SHEET 1 OF 2



4' - 6' RACKS (2 FRAMES)

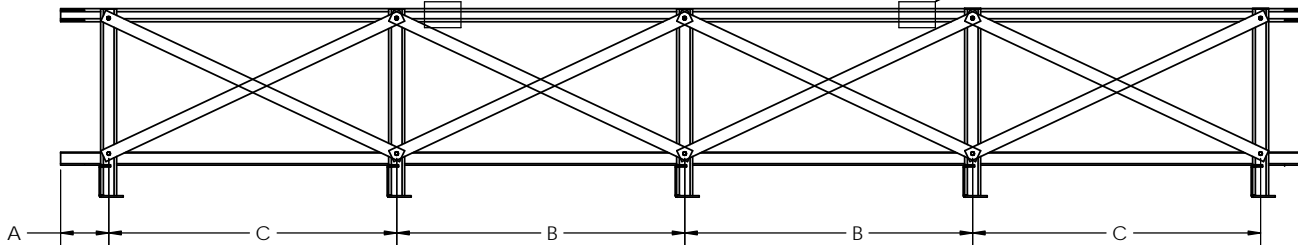


7' - 10' RACKS (3 FRAMES)

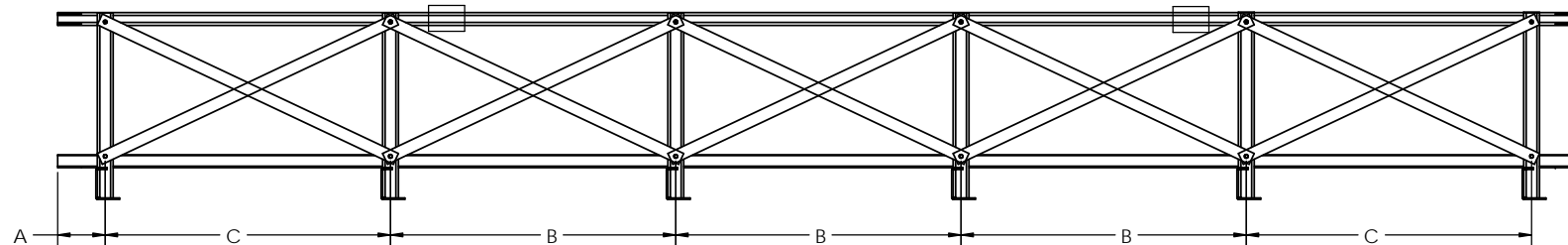


11' - 14' RACKS (4 FRAMES)

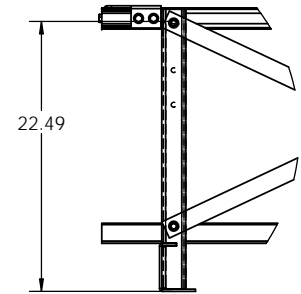
INTERMEDIATE SUPPORTS  
LOCATE APPROXIMATELY AS SHOWN.  
TYP ON RACKS REQUIRED



15' - 18' RACKS (5 FRAMES)



19' - 20' RACKS (6 FRAMES)



DETAIL D  
DETAILS SHOWS HEIGHT PLACEMENT  
OF SEISMIC BRACING. THE HEIGHT  
IS DEPENDENT ON THE MODEL OF  
STT BATTERY

THE RACKS SHOWN IN THIS VIEW ARE FOR  
REFERENCE ONLY. USE DIMENSIONS  
SHOWN FOR ASSEMBLY. ACTUAL RACK  
MAY LOOK DIFFERENT