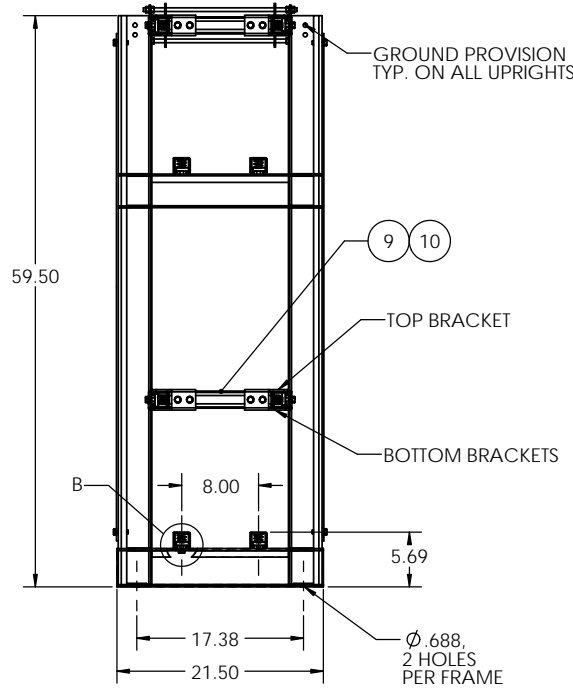
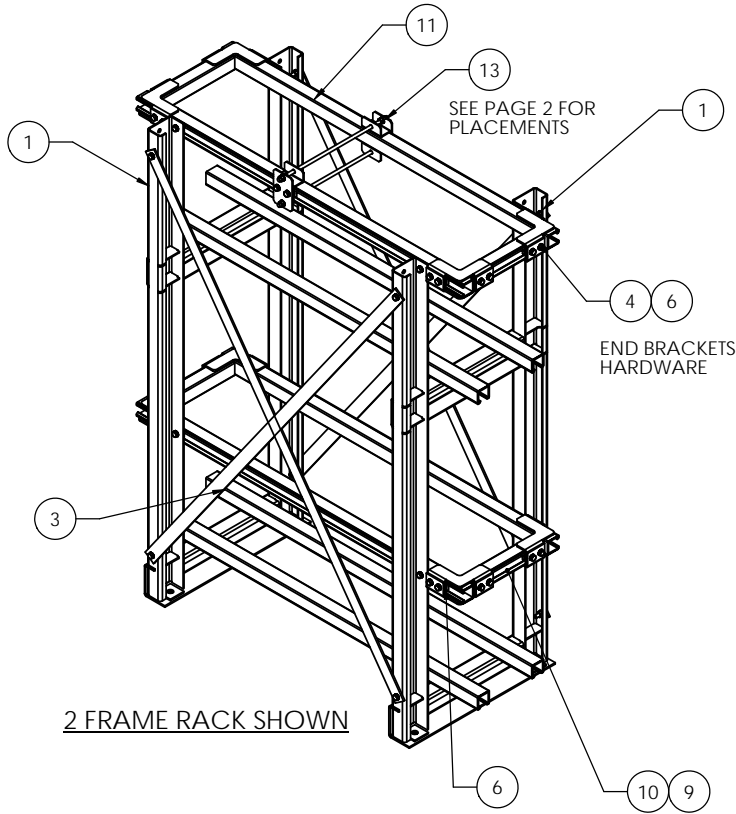


NOTES:

PARTS LIST		4'	5'	6'	7'	8'	9'	10'	11'	12'	13'	14'	15'	16'	17'	18'	19'	20'
1	FRM-024500	FRAME, 2 TIER, ZONE 4, ST2V 1100-1200																
2	BTR-000300	RAIL, BATTERY, 1.625 X 1.625 X "L"																
3	MIS-000300	PLASTIC COVER, BAIT, RAIL, "L"																
4	HEXBOLTS/8-16X1-1/4ZINC	HBOLT 3/8-16 X 1-1/4", Z.P.																
5	EXTTOOTHWASHER3/8ZC	WASHER, EXTERNAL TOOTH, 3/8, ZC																
6	P1008	SIRUT NUT, 3/8-16																
7	BKT-000901	BRACKET, END, TOP, WCR, 3/8" HDWR																
8	BKT-002101	BRACKET, END, BOTTOM, WCR, 3/8" HDWR																
9	MIS-002100	PLASTIC COVER, BAIT, RAIL, 10.6" LONG																
10	BRC-002600	END BRACE, WET CELL RACK, Z4, 10.6"																
11	SEE BRACE TABLE	BRACE, CROSS																
12	HEXNUTS/8-16ZINC	HEX NUT, 1/2-13, ZINC																
13	KIT-003616	KIT, INTERMEDIATE SUPPORT, 16"																

REVISIONS			
REV.	DESCRIPTION	DATE	APPROVED
A	INITIAL RELEASE	7-23-10	RNA
B	UPDATE PER CERTIFICATIONS SPECS	4/25/2011	RNA

RACK DIMENSIONS AND OTHER SPECS					
PAR NUMBER	RACK LENGTH DIM "L" (FT)	DIM "A" (IN)	DIM "B" (IN)	DIM "C" (IN)	WEIGHT
WR275-2T1R-48-Z4	4	6	36	N/A	219
WR275-2T1R-60-Z4	5	12	36	N/A	235
WR275-2T1R-72-Z4	6	12	48	N/A	254
WR275-2T1R-84-Z4	7	6	36	N/A	344
WR275-2T1R-96-Z4	8	12	36	N/A	360
WR275-2T1R-108-Z4	9	6	48	N/A	381
WR275-2T1R-120-Z4	10	12	48	N/A	397
WR275-2T1R-132-Z4	11	12	36	36	485
WR275-2T1R-144-Z4	12	12	48	36	507
WR275-2T1R-156-Z4	13	6	48	48	528
WR275-2T1R-168-Z4	14	12	48	48	544
WR275-2T1R-180-Z4	15	6	48	36	634
WR275-2T1R-192-Z4	16	12	48	36	650
WR275-2T1R-204-Z4	17	6	48	48	671
WR275-2T1R-216-Z4	18	12	48	48	687
WR275-2T1R-228-Z4	19	6	48	36	777
WR275-2T1R-240-Z4	20	12	48	36	793

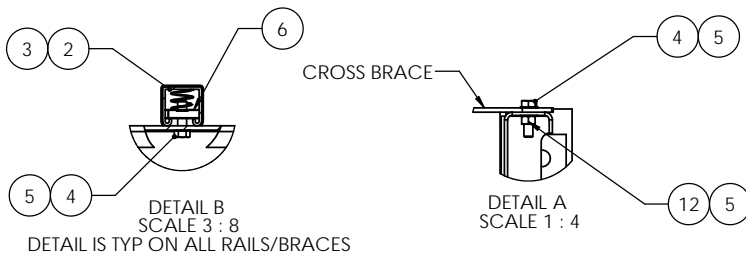


TYP END VIEW

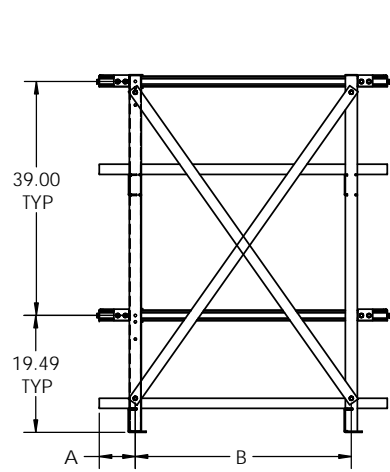
BRACE TABLE			
RACK MODEL	RACK LENGTH (FT)	BRACE P/N	
		BRC-001500	BRC-003800
WR275-2T1R-48-Z4	4	4	N/A
WR275-2T1R-60-Z4	5	4	N/A
WR275-2T1R-72-Z4	6	N/A	4
WR275-2T1R-84-Z4	7	8	N/A
WR275-2T1R-96-Z4	8	8	N/A
WR275-2T1R-108-Z4	9	N/A	8
WR275-2T1R-120-Z4	10	N/A	8
WR275-2T1R-132-Z4	11	12	NA
WR275-2T1R-144-Z4	12	8	4
WR275-2T1R-156-Z4	13	N/A	12
WR275-2T1R-168-Z4	14	N/A	12
WR275-2T1R-180-Z4	15	8	8
WR275-2T1R-192-Z4	16	8	8
WR275-2T1R-204-Z4	17	N/A	16
WR275-2T1R-216-Z4	18	N/A	16
WR275-2T1R-228-Z4	19	8	12
WR275-2T1R-240-Z4	20	8	12

NOTES:

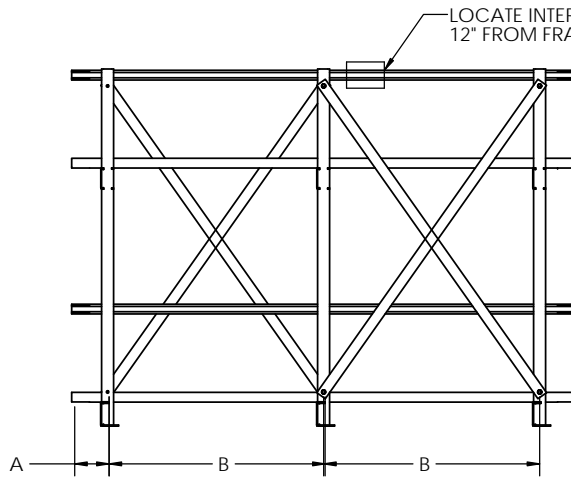
- EPOXY POWDER COATED FRAMES
- STANDARD RAILS AND SEISMIC BRACES ARE GALVANIZED.
- REFER TO PAGE 2 FOR FRAME TO FRAME DIMENSIONS DEPENDING ON THE LENGTH OF RACK.
- BRACES USED ARE DEPENDENT ON DIMENSIONS BETWEEN FRAMES. REFERENCE PAGE 2 AND BRACE TABLES TO DETERMINE LOCATION OF BRACES DEPENDING ON THE BRACE'S LENGTHS.



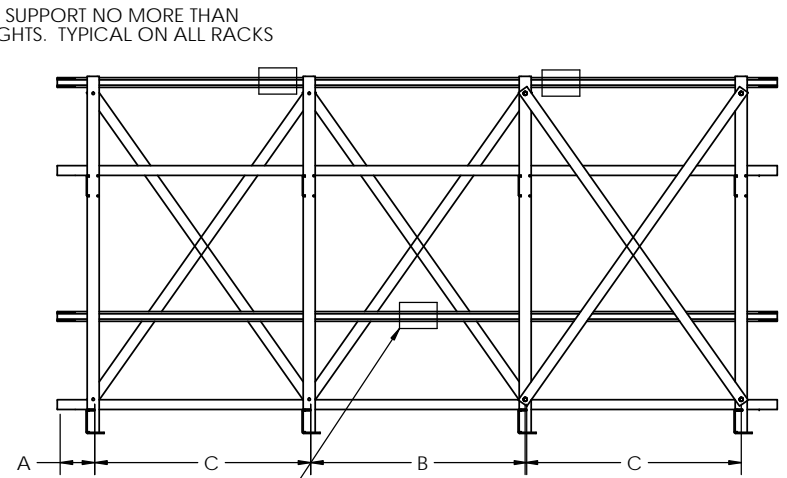
UNLESS OTHERWISE SPECIFIED		DRAWN		NAME	DATE	TITLE: STT SERIES 1100-1200 2 TIER/1 ROW, ZONE 4 RACKS
DIMENSIONS ARE IN INCHES TOLERANCES: ANGULAR: MACH ± .5 BEND ± 1 TWO PLACE DECIMAL ± .01 THREE PLACE DECIMAL ± .005		CHECKED				
PROJECTION:	SEE NOTE 1	ENG APPR:				SIZE: C
MATERIAL:	SEE NOTE 2	MFG APPR:				DWG. NO. WR275-2T1R Z4
USED ON:	DO NOT SCALE DRAWING	QA:				REV: B
		SCALE: 1:8		WEIGHT:		SHEET 1 OF 2



4' - 6' RACKS (2 FRAMES)

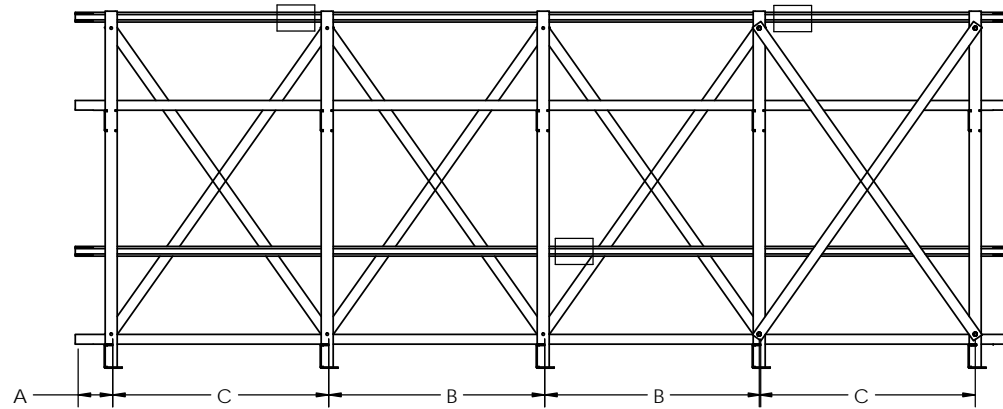


7' - 10' RACKS (3 FRAMES)

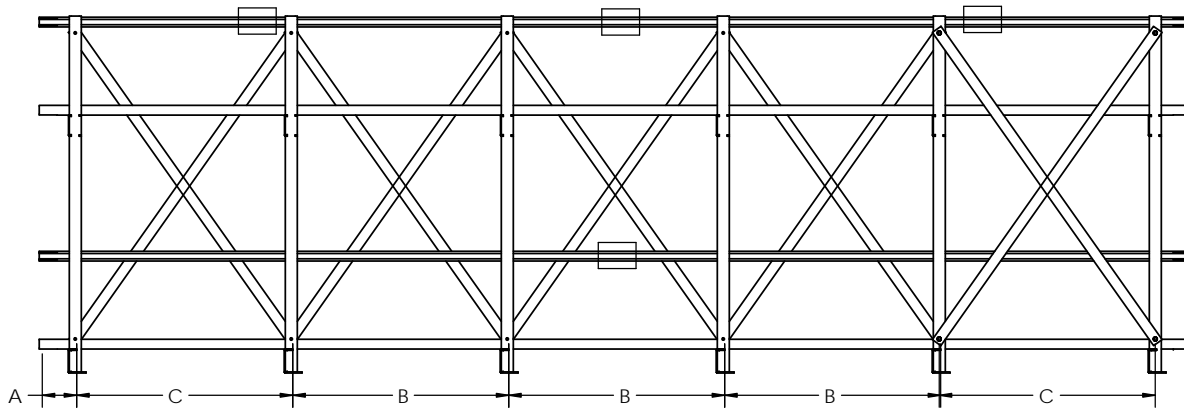


11' - 14' RACKS (4 FRAMES)

INTERMEDIATE SUPPORT FOR
BOTTOM TIER PROVIDED
FOR RACKS 12'-14' ONLY



15' - 18' RACKS (5 FRAMES)



19' - 20' RACKS (6 FRAMES)

LOCATE INTERMEDIATE SUPPORT NO MORE THAN
12" FROM FRAME UPRIGHTS. TYPICAL ON ALL RACKS