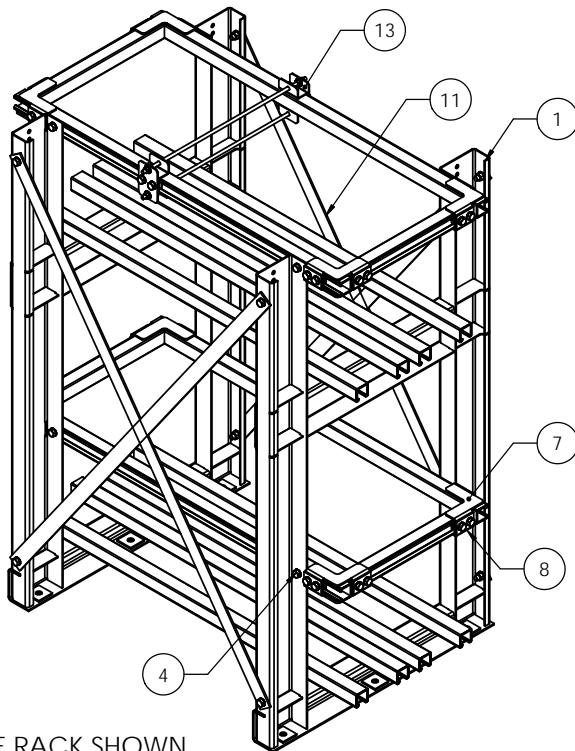


NOTES:

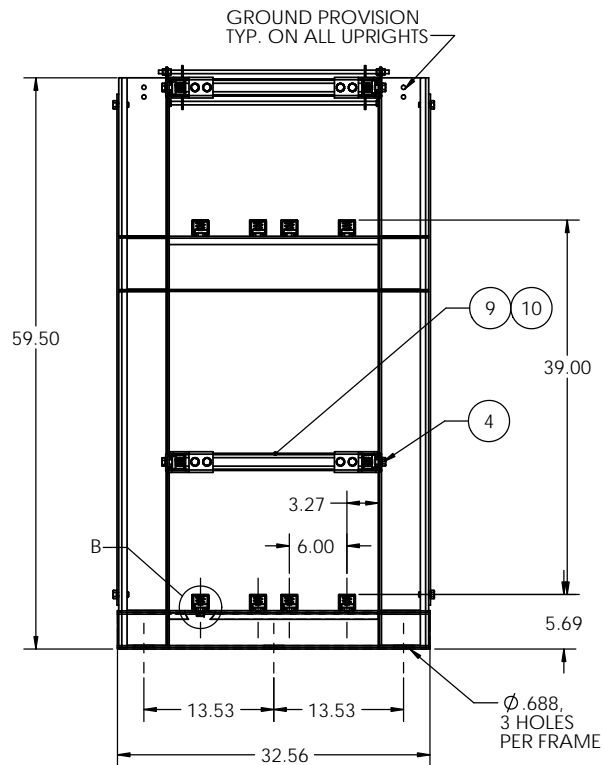
PARTS LIST																					
ITEM NO.	PART NUMBER	DESCRIPTION	4'	5'	6'	7'	8'	9'	10'	11'	12'	13'	14'	15'	16'	17'	18'	19'	20'		
1	FRM-027000	FRAME, 2 TIER, ZONE 4, OP±S 900-1000	2	2	2	3	3	3	3	4	4	4	4	5	5	5	5	6	6	6	
2	BTR-000300	RAIL, BATTERY, 1.625 X 1.625 X "L"	12	12	12	12	12	12	12	12	12	12	12	12	12	12	12	12	12	12	
3	MIS-000300	PLASTIC COVER, BATT. RAIL, "L"	12	12	12	12	12	12	12	12	12	12	12	12	12	12	12	12	12	12	
4	HEXBOLT1/2-13X1-1/4ZINC	HBOLT 1/2-13 X 1-1/4", Z.P.	64	64	64	80	80	80	80	96	96	96	96	112	112	112	112	128	128	128	
5	EXTTOOTHWASHER1/2ZC	WASHER, LOCK, EXTERNAL TOOTH, 1/2", ZC	72	72	72	92	92	92	92	112	112	112	112	132	132	132	132	152	152	152	
6	P1010	NUT,UNISTRUT, 1/2-13	56	56	56	68	68	68	68	80	80	80	80	92	92	92	92	104	104	104	
7	BKT-000902	BRACKET, END, TOP, 1/2" HOLES	8	8	8	8	8	8	8	8	8	8	8	8	8	8	8	8	8	8	
8	BKT-002102	BRACKET, END, BOTTOM, 1/2" HOLES	8	8	8	8	8	8	8	8	8	8	8	8	8	8	8	8	8	8	
9	MIS-002600	PLASTIC COVER, BATT. RAIL, 18.375"	4	4	4	4	4	4	4	4	4	4	4	4	4	4	4	4	4	4	
10	BRC-003400	END BRACE, WET CELL RACK, Z4, 18.375"	4	4	4	4	4	4	4	4	4	4	4	4	4	4	4	4	4	4	
11	SEE BRACE TABLE	BRACE, CROSS	REFERENCE BRACE TABLE FOR BRACE TYPE AND QTY.																		
12	HEXNUT1/2-13ZINC	HEX NUT, 1/2-13, ZINC	8	8	8	12	12	12	12	16	16	16	16	20	20	20	20	24	24	24	
13	KIT-003624	INTERMEDIATE SUPPORT, WET CELL RACKS, 24"	1	1	1	3	3	3	3	4	4	4	4	4	6	6	6	6	7	7	

REVISIONS			
REV.	DESCRIPTION	DATE	APPROVED
A	INITIAL RELEASE	7-27-10	RNA
B	UPDATE PER CERTIFICATION UPDATES	8-23-11	RNA

RACK DIMENSIONS AND OTHER SPECS					
PAR NUMBER	RACK LENGTH DIM "L" (FT)	DIM "A" (IN)	DIM "B" (IN)	DIM "C" (IN)	WEIGHT
WR233-2T2R-48-Z4	4	6	36	N/A	309
WR233-2T2R-60-Z4	5	12	36	N/A	333
WR233-2T2R-72-Z4	6	12	48	N/A	365
WR233-2T2R-84-Z4	7	6	36	N/A	490
WR233-2T2R-96-Z4	8	12	36	N/A	514
WR233-2T2R-108-Z4	9	6	48	N/A	553
WR233-2T2R-120-Z4	10	12	48	N/A	578
WR233-2T2R-132-Z4	11	12	36	36	690
WR233-2T2R-144-Z4	12	12	48	36	722
WR233-2T2R-156-Z4	13	6	48	48	762
WR233-2T2R-168-Z4	14	12	48	48	786
WR233-2T2R-180-Z4	15	6	48	36	910
WR233-2T2R-192-Z4	16	12	48	36	935
WR233-2T2R-204-Z4	17	6	48	48	974
WR233-2T2R-216-Z4	18	12	48	48	998
WR233-2T2R-228-Z4	19	6	48	36	1119
WR233-2T2R-240-Z4	20	12	48	36	1143



2 FRAME RACK SHOWN

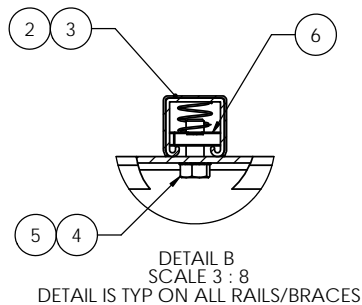


TYP END VIEW

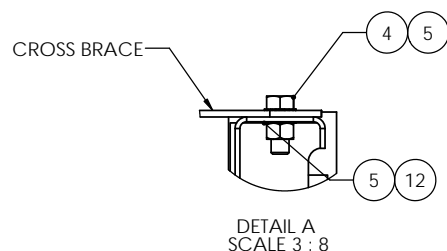
BRACE TABLE			
RACK MODEL	RACK LENGTH (FT)	BRACE P/N	
		BRC-010000	BRC-010100
WR233-2T2R-48-Z4	4	4	N/A
WR233-2T2R-60-Z4	5	4	N/A
WR233-2T2R-72-Z4	6	N/A	4
WR233-2T2R-84-Z4	7	8	N/A
WR233-2T2R-96-Z4	8	8	N/A
WR233-2T2R-108-Z4	9	N/A	8
WR233-2T2R-120-Z4	10	N/A	8
WR233-2T2R-132-Z4	11	12	NA
WR233-2T2R-144-Z4	12	8	4
WR233-2T2R-156-Z4	13	N/A	12
WR233-2T2R-168-Z4	14	N/A	12
WR233-2T2R-180-Z4	15	8	8
WR233-2T2R-192-Z4	16	8	8
WR233-2T2R-204-Z4	17	N/A	16
WR233-2T2R-216-Z4	18	N/A	16
WR233-2T2R-228-Z4	19	8	12
WR233-2T2R-240-Z4	20	8	12

NOTES:

1. EPOXY POWDER COATED FRAMES
2. STANDARD RAILS AND SEISMIC BRACES ARE GALVANIZED.
3. REFER TO PAGE 2 FOR FRAME TO FRAME DIMENSIONS DEPENDING ON THE LENGTH OF RACK.
4. BRACES USED ARE DEPENDENT ON DIMENSIONS BETWEEN FRAMES. REFERENCE PAGE 2 AND BRACE TABLES TO DETERMINE LOCATION OF BRACES DEPENDING ON THE BRACE'S LENGTHS.

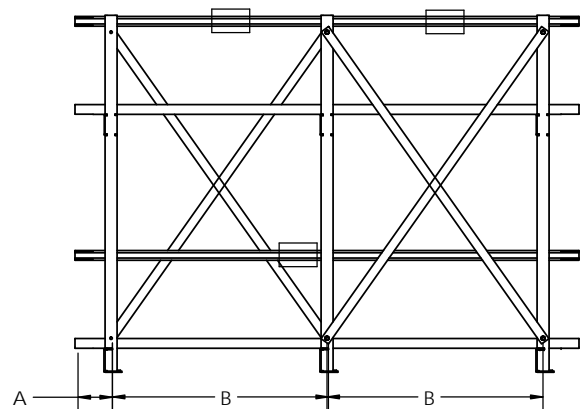


DETAIL B  
SCALE 3 : 8  
DETAIL IS TYP ON ALL RAILS/BRACES

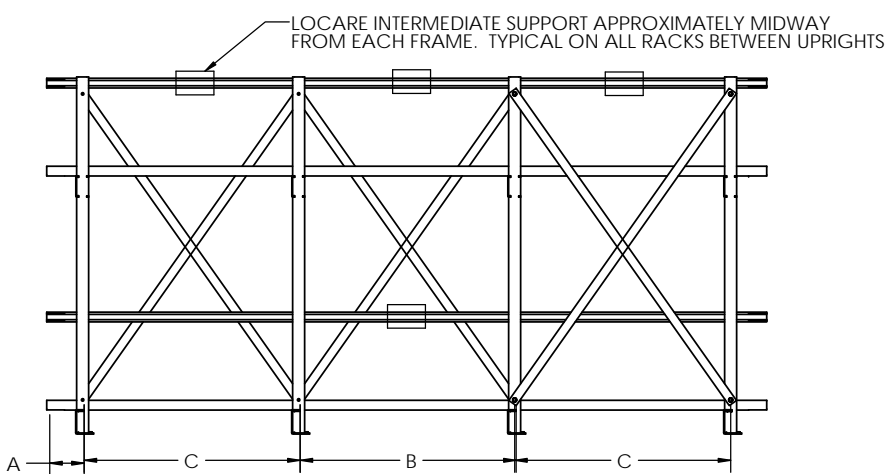


DETAIL A  
SCALE 3 : 8

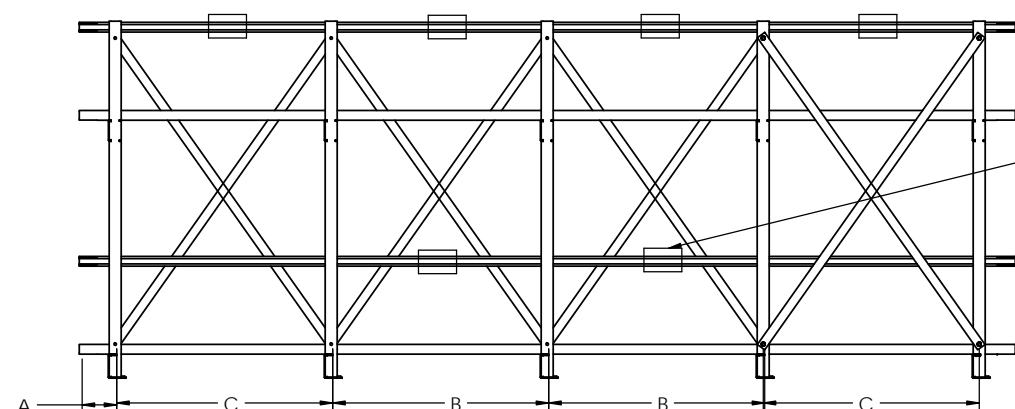
UNLESS OTHERWISE SPECIFIED			
DIMENSIONS ARE IN INCHES			
TOLERANCES:			
ANGULAR: MACH ± .5 BEND ± 1			
TWO PLACE DECIMAL ± .01			
THREE PLACE DECIMAL ± .005			
DRAWN	NAME	DATE	TITLE: STT SERIES 900-1000
CHECKED		7-27-10	2 TIER/2 ROW, ZONE 4 RACKS
ENG APPR			SIZE DWG. NO. REV
MFG APPR			C WR233-2T2R Z4 B
USED ON	SEE NOTE 1		SCALE: 1:8 WEIGHT: SHEET 1 OF 2
	SEE NOTE 2		
	DO NOT SCALE DRAWING		



7' - 10' RACKS (3 FRAMES)

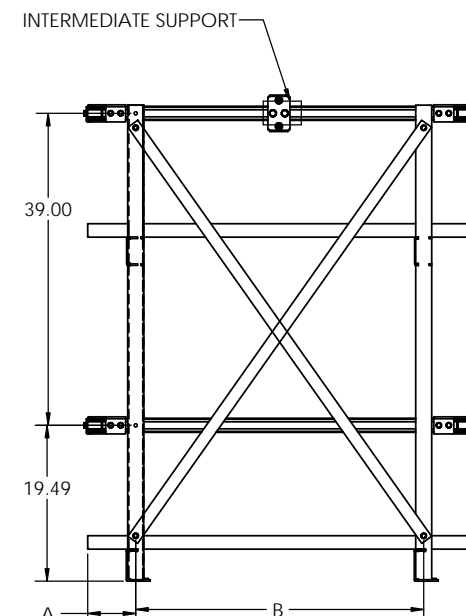


11' - 14' RACKS (4 FRAMES)

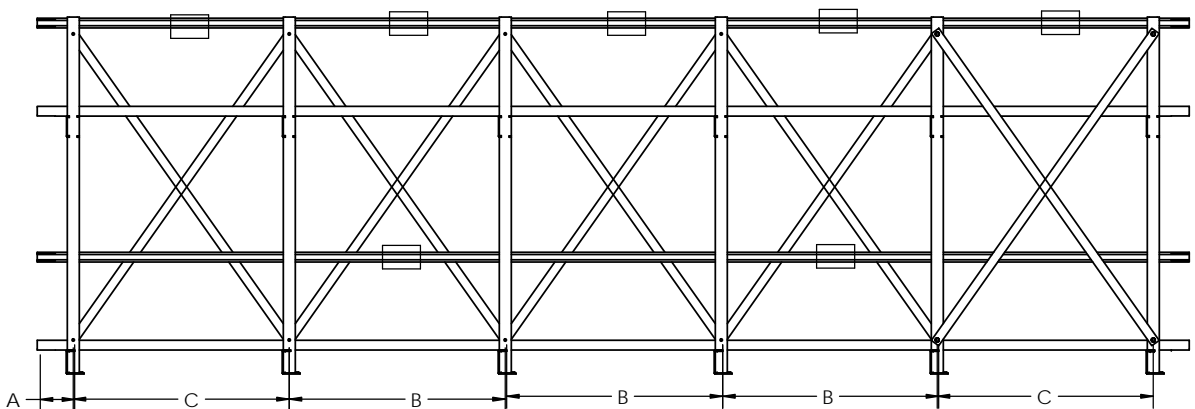


15' - 18' RACKS (5 FRAMES)

LOWER LEVEL INTERMEDIATE SUPPORTS. LOCATE APPROXIMATELY AS SHOWN



4' - 6' RACKS (2 FRAMES)



19' - 20' RACKS (6 FRAMES)