

EX Series Chargers

Revolutionary High-Efficiency Charging Solutions

*No charger is safer for your
battery fleet.*



BENEFITS



**Trustworthy ferroresonant
technology.**



**Lowest cost
of ownership.**



**"Smart" Charge Control
with Icon & digital display.**



**Failsafe charge for
your battery.**



Fully automatic.



**Empowering Industries
for 50 Years**



Phone: 314-739-1414
Fax: 314-739-1277
E-mail: Sales@chargingti.com
chargingti.com

Charging Technologies Inc™
4328 Bridgeton Industrial Drive
Bridgeton, Missouri 63044

EX-SERIES-SPEC-12112023


**CHARGING
TECHNOLOGIES, INC.**

EX Series Chargers



LATEST TECHNOLOGY

Although ferroresonant technology has been around for many years, improvements are constantly being made and today, our charger boasts a high efficiency, 87% and power factor > 90% close to that of other manufacturers high frequency chargers. Sophisticated charge control monitors the battery throughout charge and delivers a safe, complete charge to keep your fleet healthy and running!

- ✓ **Cutting-Edge Efficiency:** Reach an exceptional peak power conversion efficiency of 87% and a power factor exceeding 90%, rivaling high-frequency chargers from other manufacturers.
- ✓ **Battery Health Monitoring:** Employs sophisticated charge control technology to continuously monitor battery health throughout the charging process, ensuring the longevity and reliability of your fleet.
- ✓ **Seamless Communication:** Establish constant communication between your battery and charger, guaranteeing a perfect charge every time and minimizing the risk of overcharging or undercharging.
- ✓ **Intuitive Graphic Icon Display:** Easily identify charge status and battery readiness with a user-friendly graphic icon display, streamlining your fleet management.
- ✓ **Safety First:** Underwriters Laboratories (UL) listed, our chargers provide failsafe charging for your battery fleet, minimizing potential risks.
- ✓ **Versatile AC Voltage Options:** Available in all AC voltage configurations, both single and three-phase, to cater to your specific charging needs.



- ✓ **Robust failsafe design.**
- ✓ **Stackable.**
- ✓ **Over 10 Years of Reliable Performance.**

INTELLIGENT CHARGING

- Constant communication between battery and charger for perfect charge every time.
- Graphic Icon display allows quick identification of charge status and "ready" battery.
- Underwriters Laboratories UL and ULc listed.



Empowering Industries
for 50 Years

Phone: 314-739-1414
Fax: 314-739-1277
E-mail: Sales@chargingti.com
chargingti.com

Charging Technologies Inc™
4328 Bridgeton Industrial Drive
Bridgeton, Missouri 63044

EX-SERIES-SPEC-12112023



EX Series Chargers



SELECTOR GUIDE - 1 PH

| Model | Cells | Amp hr. Rating | Range | DC Amp Output | AC Input Amps | | | | | Case | Weight |
|-------------|-------|----------------|-----------|---------------|---------------|------|------|------|------|------|--------|
| | | | | | 120 | 208 | 240 | 480 | 600 | | |
| EXS6-265* | 6 | 265 | 176-265 | 45 | 6.6 | 3.8 | 3.3 | 1.7 | 1.3 | 500 | 65 |
| EXS6-380* | 6 | 380 | 266-380 | 65 | 9.6 | 5.5 | 4.8 | 2.4 | 1.9 | 500 | 65 |
| EXS6-440* | 6 | 440 | 381-440 | 75 | 11.0 | 6.4 | 5.5 | 2.8 | 2.2 | 500 | 80 |
| EXS6-500* | 6 | 500 | 441-500 | 85 | 12.5 | 7.2 | 6.2 | 3.1 | 2.5 | 500 | 85 |
| EXS6-595* | 6 | 595 | 501-595 | 102 | 15.0 | 8.7 | 7.5 | 3.7 | 3.0 | 500 | 95 |
| EXS6-680* | 6 | 680 | 596-680 | 116 | 17.1 | 9.8 | 8.5 | 4.3 | 3.4 | 500 | 95 |
| EXS6-760* | 6 | 760 | 681-760 | 130 | 19.1 | 11.0 | 9.6 | 4.8 | 3.8 | 500 | 120 |
| EXS6-850* | 6 | 850 | 761-850 | 145 | 21.3 | 12.3 | 10.7 | 5.3 | 4.3 | 500 | 125 |
| EXS12-265* | 12 | 265 | 176-265 | 45 | 13.2 | 7.6 | 6.6 | 3.3 | 2.6 | 500 | 85 |
| EXS12-380* | 12 | 380 | 266-380 | 65 | 19.1 | 11.0 | 9.6 | 4.8 | 3.8 | 500 | 120 |
| EXS12-440* | 12 | 440 | 381-440 | 75 | 22.1 | 12.7 | 11.0 | 5.5 | 4.4 | 500 | 120 |
| EXS12-500* | 12 | 500 | 441-500 | 85 | 25.0 | 14.4 | 12.5 | 6.2 | 5.0 | 500 | 125 |
| EXS12-595* | 12 | 595 | 501-595 | 102 | XX | 17.3 | 15.0 | 7.5 | 6.0 | 500 | 140 |
| EXS12-680* | 12 | 680 | 596-680 | 116 | XX | 19.7 | 17.1 | 8.5 | 6.8 | 500 | 140 |
| EXS12-760* | 12 | 760 | 681-760 | 130 | XX | 22.1 | 19.1 | 9.6 | 7.6 | 501 | 210 |
| EXS12-850* | 12 | 850 | 761-850 | 145 | XX | 24.6 | 21.3 | 10.7 | 8.5 | 501 | 210 |
| EXS12-935* | 12 | 935 | 851-935 | 160 | XX | 27.1 | 23.5 | 11.8 | 9.4 | 501 | 225 |
| EXS12-1025* | 12 | 1025 | 936-1026 | 175 | XX | 29.7 | 25.7 | 12.9 | 10.3 | 501 | 225 |
| EXS18-265* | 18 | 265 | 176-265 | 45 | 19.8 | 11.4 | 9.9 | 5.0 | 4.0 | 500 | 120 |
| EXS18-380* | 18 | 380 | 266-380 | 65 | XX | 16.5 | 14.3 | 7.2 | 5.7 | 500 | 140 |
| EXS18-440* | 18 | 440 | 381-440 | 75 | XX | 19.1 | 16.5 | 8.3 | 6.6 | 500 | 140 |
| EXS18-500* | 18 | 500 | 441-500 | 85 | XX | 21.6 | 18.7 | 9.4 | 7.5 | 501 | 210 |
| EXS18-595* | 18 | 595 | 501-595 | 102 | XX | 26.0 | 22.5 | 11.2 | 9.0 | 501 | 225 |
| EXS18-680* | 18 | 680 | 596-680 | 116 | XX | 29.5 | 25.6 | 12.8 | 10.2 | 501 | 225 |
| EXS18-760* | 18 | 760 | 681-760 | 130 | XX | 33.1 | 28.7 | 14.3 | 11.5 | 501 | 240 |
| EXS18-850* | 18 | 850 | 761-850 | 145 | XX | 36.9 | 32.0 | 16.0 | 12.8 | 501 | 240 |
| EXS18-935* | 18 | 935 | 851-935 | 160 | XX | 40.7 | 35.3 | 17.6 | 14.1 | 501 | 240 |
| EXS18-1025* | 18 | 1025 | 936-1026 | 175 | XX | 44.5 | 38.6 | 19.3 | 15.4 | 501 | 265 |
| EXS18-1200* | 18 | 1200 | 1027-1200 | 221 | XX | XX | 45.0 | 24.5 | 19.6 | 501 | 284 |

*Requires 60Hz Voltage Code
 A= 120/208/240
 B= 208/240/480

K= 480/575
 AG= 600
 Consult factory for 50 hz voltage codes



Control can be upgraded to the 305 with Bluetooth Capabilities

Phone: 314-739-1414
 Fax: 314-739-1277
 E-mail: Sales@chargingti.com
chargingti.com

Charging Technologies Inc™
 4328 Bridgeton Industrial Drive
 Bridgeton, Missouri 63044



EX-SERIES-SPEC-12112023

EX Series Chargers



SELECTOR GUIDE - 1 PH

| Model | Cells | Amp hr. Rating | Range | DC Amp Output | AC Input Amps | | | | | Case | Weight |
|-------------|-------|----------------|----------|---------------|---------------|------|------|------|------|------|--------|
| | | | | | 120 | 208 | 240 | 480 | 600 | | |
| EXS24-265* | 24 | 265 | 176-265 | 45 | ✗ | 15.3 | 13.2 | 6.6 | 5.3 | 500 | 125 |
| EXS24-380* | 24 | 380 | 266-380 | 65 | ✗ | 22.1 | 19.1 | 9.6 | 7.6 | 501 | 210 |
| EXS24-440* | 24 | 440 | 381-440 | 75 | ✗ | 25.4 | 22.1 | 11.0 | 8.8 | 501 | 225 |
| EXS24-500* | 24 | 500 | 441-500 | 85 | ✗ | 28.8 | 25.0 | 12.5 | 10.0 | 501 | 225 |
| EXS24-595* | 24 | 595 | 501-595 | 102 | ✗ | 34.6 | 30.0 | 15.0 | 12.0 | 501 | 240 |
| EXS24-680* | 24 | 680 | 596-680 | 116 | ✗ | 39.4 | 34.1 | 17.1 | 13.6 | 501 | 240 |
| EXS24-760* | 24 | 760 | 681-760 | 130 | ✗ | 44.1 | 38.2 | 19.1 | 15.3 | 501 | 265 |
| EXS24-850* | 24 | 850 | 761-850 | 145 | ✗ | ✗ | 42.6 | 21.3 | 17.1 | 501 | 284 |
| EXS24-935* | 24 | 935 | 851-935 | 160 | ✗ | ✗ | 47.0 | 23.5 | 18.8 | 501 | 320 |
| EXS24-1025* | 24 | 1025 | 936-1026 | 175 | ✗ | ✗ | ✗ | 25.7 | 20.6 | 501 | 406 |
| EXS40-265* | 40 | 265 | 176-265 | 45 | ✗ | 25.4 | 22.1 | 11.0 | 8.8 | 501 | 225 |
| EXS40-380* | 40 | 380 | 266-380 | 65 | ✗ | 40.4 | 35.0 | 17.5 | 14.0 | 501 | 240 |
| EXS40-440* | 40 | 440 | 381-440 | 75 | ✗ | 42.4 | 36.8 | 18.4 | 14.7 | 501 | 265 |
| EXS40-500* | 40 | 500 | 441-500 | 85 | ✗ | 48.1 | 41.7 | 20.8 | 16.7 | 501 | 320 |
| EXS40-595* | 40 | 595 | 501-595 | 102 | ✗ | ✗ | ✗ | 25.0 | 20.0 | 501 | 320 |
| EXS40-680* | 40 | 680 | 596-680 | 116 | ✗ | ✗ | ✗ | 28.4 | 22.7 | 501 | 406 |
| EXS40-760* | 40 | 760 | 681-760 | 130 | ✗ | ✗ | ✗ | 31.9 | 25.5 | 501 | 410 |

*Requires 60Hz Voltage Code
 A= 120/208/240
 B= 208/240/480

K= 480/575
 AG= 600
 Consult factory for 50 hz voltage codes



Empowering Industries
 for 50 Years



Control can be upgraded to the
 305 with Bluetooth Capabilities

Phone: 314-739-1414
 Fax: 314-739-1277
 E-mail: Sales@chargingti.com
chargingti.com

Charging Technologies Inc™
 4328 Bridgeton Industrial Drive
 Bridgeton, Missouri 63044

EX-SERIES-SPEC-12112023



EX Series Chargers



SELECTOR GUIDE - 3 PH

| Model | Cells | Amp hr. Rating | Range | DC Amp Output | AC Input Amps | | | | Case | Weight |
|-------------|-------|----------------|-----------|---------------|---------------|------|------|------|------|--------|
| | | | | | 208 | 240 | 480 | 600 | | |
| EXT6-265* | 6 | 265 | 176-265 | 45 | 2.2 | 1.9 | 1.0 | 0.8 | 501 | 170 |
| EXT6-380* | 6 | 380 | 266-380 | 65 | 3.2 | 2.8 | 1.4 | 1.1 | 501 | 170 |
| EXT6-440* | 6 | 440 | 381-440 | 75 | 3.7 | 3.2 | 1.6 | 1.3 | 501 | 170 |
| EXT6-500* | 6 | 500 | 441-500 | 85 | 4.2 | 3.6 | 1.8 | 1.4 | 501 | 170 |
| EXT6-595* | 6 | 595 | 501-595 | 102 | 5.0 | 4.3 | 2.2 | 1.7 | 501 | 195 |
| EXT6-680* | 6 | 680 | 596-680 | 116 | 5.7 | 4.9 | 2.5 | 2.0 | 501 | 195 |
| EXT6-760* | 6 | 760 | 681-760 | 130 | 6.4 | 5.5 | 2.8 | 2.2 | 501 | 195 |
| EXT6-850* | 6 | 850 | 761-850 | 145 | 7.1 | 6.2 | 3.1 | 2.5 | 501 | 207 |
| EXT12-265* | 12 | 265 | 176-265 | 45 | 4.4 | 3.8 | 1.9 | 1.5 | 501 | 170 |
| EXT12-380* | 12 | 380 | 266-380 | 65 | 6.4 | 5.5 | 2.8 | 2.2 | 501 | 170 |
| EXT12-440* | 12 | 440 | 381-440 | 75 | 7.4 | 6.4 | 3.2 | 2.5 | 501 | 195 |
| EXT12-500* | 12 | 500 | 441-500 | 85 | 8.5 | 7.4 | 3.7 | 2.9 | 501 | 195 |
| EXT12-595* | 12 | 595 | 501-595 | 102 | 10.0 | 8.7 | 4.3 | 3.5 | 501 | 207 |
| EXT12-680* | 12 | 680 | 596-680 | 116 | 11.4 | 9.9 | 4.9 | 3.9 | 501 | 215 |
| EXT12-760* | 12 | 760 | 681-760 | 130 | 12.7 | 11.0 | 5.5 | 4.4 | 501 | 220 |
| EXT12-850* | 12 | 850 | 761-850 | 145 | 14.2 | 12.3 | 6.2 | 4.9 | 501 | 250 |
| EXT12-935* | 12 | 935 | 851-935 | 160 | 15.6 | 13.5 | 6.8 | 5.4 | 501 | 250 |
| EXT12-1025* | 12 | 1025 | 936-1026 | 175 | 17.2 | 14.9 | 7.4 | 5.9 | 501 | 250 |
| EXT18-265* | 18 | 265 | 176-265 | 45 | 6.6 | 5.7 | 2.9 | 2.3 | 501 | 195 |
| EXT18-380* | 18 | 380 | 266-380 | 65 | 9.6 | 8.3 | 4.1 | 3.3 | 501 | 207 |
| EXT18-440* | 18 | 440 | 381-440 | 75 | 11.0 | 9.6 | 4.8 | 3.8 | 501 | 220 |
| EXT18-500* | 18 | 500 | 441-500 | 85 | 12.5 | 10.8 | 5.4 | 4.3 | 501 | 220 |
| EXT18-595* | 18 | 595 | 501-595 | 102 | 15.0 | 13.0 | 6.5 | 5.2 | 501 | 250 |
| EXT18-680* | 18 | 680 | 596-680 | 116 | 17.0 | 14.8 | 7.4 | 5.9 | 501 | 250 |
| EXT18-760* | 18 | 760 | 681-760 | 130 | 19.1 | 16.6 | 8.3 | 6.6 | 501 | 265 |
| EXT18-850* | 18 | 850 | 761-850 | 145 | 21.3 | 18.5 | 9.2 | 7.4 | 501 | 265 |
| EXT18-935* | 18 | 935 | 851-935 | 160 | 23.5 | 20.4 | 10.2 | 8.2 | 501 | 290 |
| EXT18-1025* | 18 | 1025 | 936-1026 | 175 | 25.7 | 22.3 | 11.2 | 8.9 | 501 | 290 |
| EXT18-1200* | 18 | 1200 | 1027-1200 | 221 | 30.0 | 26.0 | 13.0 | 10.4 | 501 | 320 |

*Requires 60Hz Voltage Code
 A= 120/208/240
 B= 208/240/480

K= 480/575
 AG= 600
 Consult factory for 50 hz voltage codes



Control can be upgraded to the 305 with Bluetooth Capabilities

Phone: 314-739-1414
 Fax: 314-739-1277
 E-mail: Sales@chargingti.com
chargingti.com

Charging Technologies Inc™
 4328 Bridgeton Industrial Drive
 Bridgeton, Missouri 63044

EX-SERIES-SPEC-12112023



EX Series Chargers



SELECTOR GUIDE - 3 PH

| Model | Cells | Amp hr. Rating | Range | DC Amp Output | AC Input Amps | | | | Case | Weight |
|-------------|-------|----------------|-----------|---------------|---------------|------|------|------|------|--------|
| | | | | | 208 | 240 | 480 | 600 | | |
| EXT24-265* | 24 | 265 | 176-265 | 45 | 8.8 | 7.7 | 3.8 | 3.1 | 501 | 195 |
| EXT24-380* | 24 | 380 | 266-380 | 65 | 12.7 | 11.0 | 5.5 | 4.4 | 501 | 220 |
| EXT24-440* | 24 | 440 | 381-440 | 75 | 14.7 | 12.7 | 6.4 | 5.1 | 501 | 235 |
| EXT24-500* | 24 | 500 | 441-500 | 85 | 16.7 | 14.4 | 7.2 | 5.8 | 501 | 250 |
| EXT24-595* | 24 | 595 | 501-595 | 102 | 20.0 | 17.3 | 8.7 | 6.9 | 501 | 265 |
| EXT24-680* | 24 | 680 | 596-680 | 116 | 22.7 | 19.7 | 9.9 | 7.9 | 501 | 290 |
| EXT24-760* | 24 | 760 | 681-760 | 130 | 25.5 | 22.1 | 11.0 | 8.8 | 501 | 290 |
| EXT24-850* | 24 | 850 | 761-850 | 145 | 28.4 | 24.6 | 12.3 | 9.9 | 501 | 320 |
| EXT24-935* | 24 | 935 | 851-935 | 160 | 31.4 | 27.2 | 13.6 | 10.9 | 501 | 320 |
| EXT24-1025* | 24 | 1025 | 936-1026 | 175 | 34.3 | 29.7 | 14.9 | 11.9 | 501 | 320 |
| EXT24-1200* | 24 | 1200 | 1027-1200 | 221 | 40.0 | 34.7 | 17.3 | 15.0 | 502 | 450 |
| EXT40-265* | 40 | 265 | 176-265 | 45 | 14.7 | 12.7 | 6.4 | 5.1 | 501 | 265 |
| EXT40-380* | 40 | 380 | 266-380 | 65 | 21.2 | 18.4 | 9.2 | 7.4 | 501 | 290 |
| EXT40-440* | 40 | 440 | 381-440 | 75 | 24.5 | 21.2 | 10.6 | 8.5 | 501 | 320 |
| EXT40-500* | 40 | 500 | 441-500 | 85 | 27.8 | 24.1 | 12.0 | 9.6 | 501 | 320 |
| EXT40-595* | 40 | 595 | 501-595 | 102 | 33.3 | 28.9 | 14.4 | 11.6 | 502 | 450 |
| EXT40-680* | 40 | 680 | 596-680 | 116 | 37.9 | 32.9 | 16.4 | 13.1 | 502 | 450 |
| EXT40-760* | 40 | 760 | 681-760 | 130 | 42.5 | 36.8 | 18.4 | 14.7 | 502 | 515 |
| EXT40-850* | 40 | 850 | 761-850 | 145 | 47.4 | 41.1 | 20.5 | 16.4 | 502 | 515 |

*Requires 60Hz Voltage Code
 A= 120/208/240
 B= 208/240/480

K= 480/575
 AG= 600
 Consult factory for 50 hz voltage codes



Empowering Industries
 for 50 Years



Control can be upgraded to the
 305 with Bluetooth Capabilities

Phone: 314-739-1414
 Fax: 314-739-1277
 E-mail: Sales@chargingti.com
chargingti.com

Charging Technologies Inc™
 4328 Bridgeton Industrial Drive
 Bridgeton, Missouri 63044

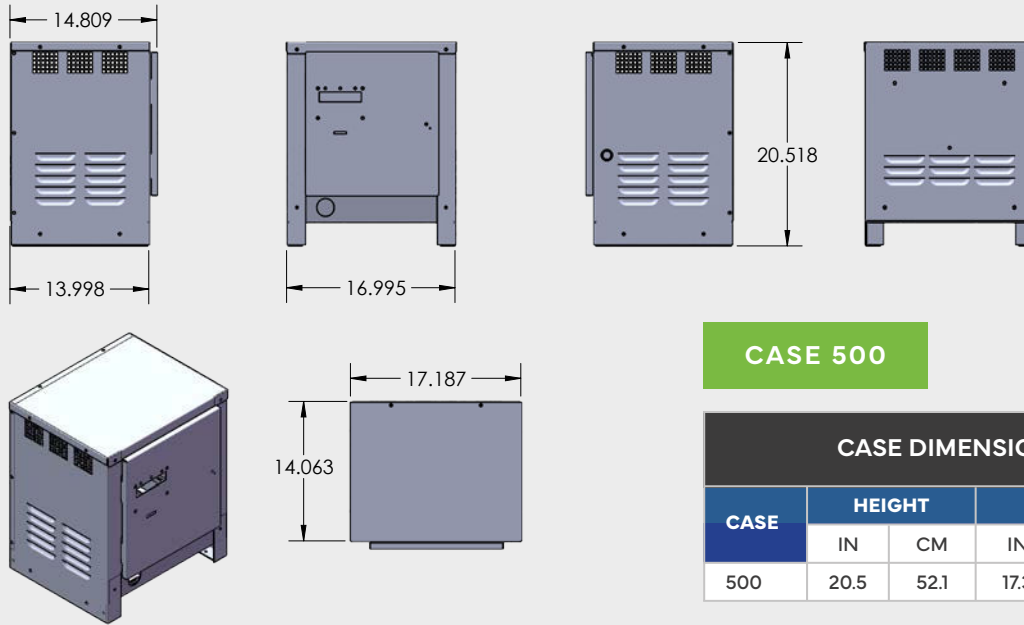


EX-SERIES-SPEC-12112023

EX Series Chargers

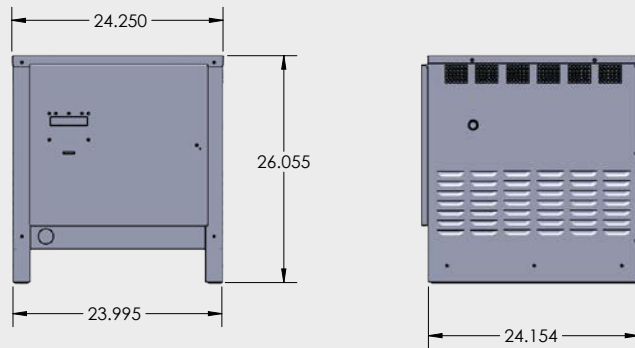
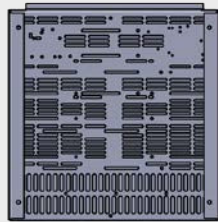


SELECTOR GUIDE



CASE 500

| CASE DIMENSIONS FOR 500 | | | | | | |
|-------------------------|--------|------|-------|------|-------|------|
| CASE | HEIGHT | | WIDTH | | DEPTH | |
| | IN | CM | IN | CM | IN | CM |
| 500 | 20.5 | 52.1 | 17.3 | 44.0 | 14.8 | 37.6 |



CASE 501

| CASE DIMENSIONS FOR 501 | | | | | | |
|-------------------------|--------|------|-------|------|-------|------|
| CASE | HEIGHT | | WIDTH | | DEPTH | |
| | IN | CM | IN | CM | IN | CM |
| 501 | 26.1 | 66.3 | 24.3 | 61.7 | 24.9 | 63.3 |



Empowering Industries
for 50 Years

Phone: 314-739-1414
 Fax: 314-739-1277
 E-mail: Sales@chargingti.com
chargingti.com

Charging Technologies Inc™
 4328 Bridgeton Industrial Drive
 Bridgeton, Missouri 63044

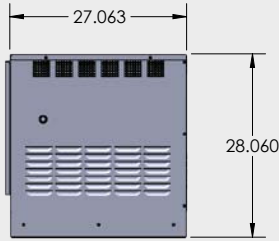
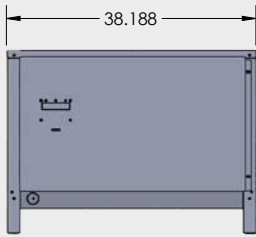
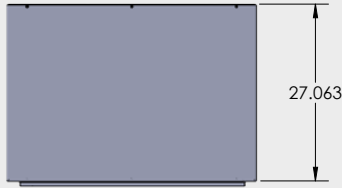
EX-SERIES-SPEC-12112023



EX Series Chargers



SELECTOR GUIDE



CASE 502

| CASE DIMENSIONS FOR 502 | | | | | | |
|-------------------------|--------|------|-------|------|-------|------|
| CASE | HEIGHT | | WIDTH | | DEPTH | |
| | IN | CM | IN | CM | IN | CM |
| 502 | 28.1 | 71.4 | 38.3 | 97.3 | 28.4 | 72.1 |



CHARGER FLOOR STAND WITH CABLE MANAGEMENT

- Heavy duty construction
- Mounting holes for Ferro 501, 551 & 701 (HF) charger cabinets
- Cable management mounting hole (POGO)
- Floor anchor holes
- Safety Yellow
- Shelf size 273/4" wide x 26" deep
- Ships KD for field assembly
- Charger Stand Pt # 038-424 Shelf Width 273/4" x Depth 26" x Height 28"
- Pogo Pt #019-353



Empowering Industries
for 50 Years

314-739-1414 Sales@chargingti.com

Phone: 314-739-1414
 Fax: 314-739-1277
 E-mail: Sales@chargingti.com
chargingti.com

Charging Technologies Inc™
 4328 Bridgeton Industrial Drive
 Bridgeton, Missouri 63044

EX-SERIES-SPEC-12112023

