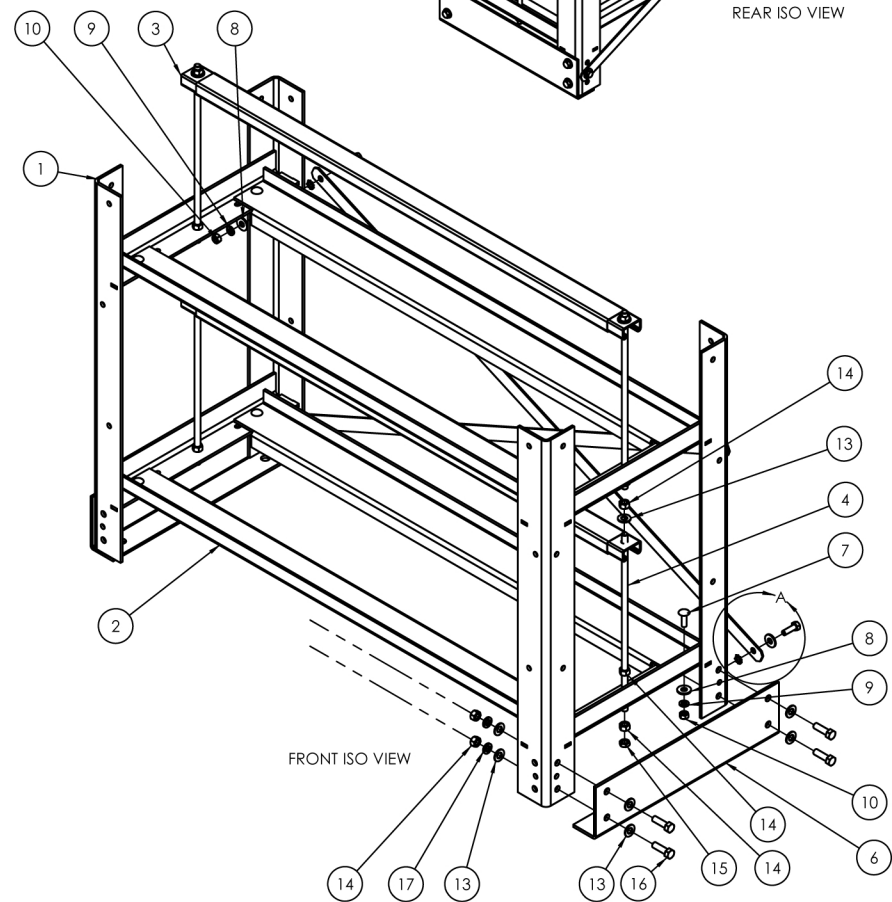
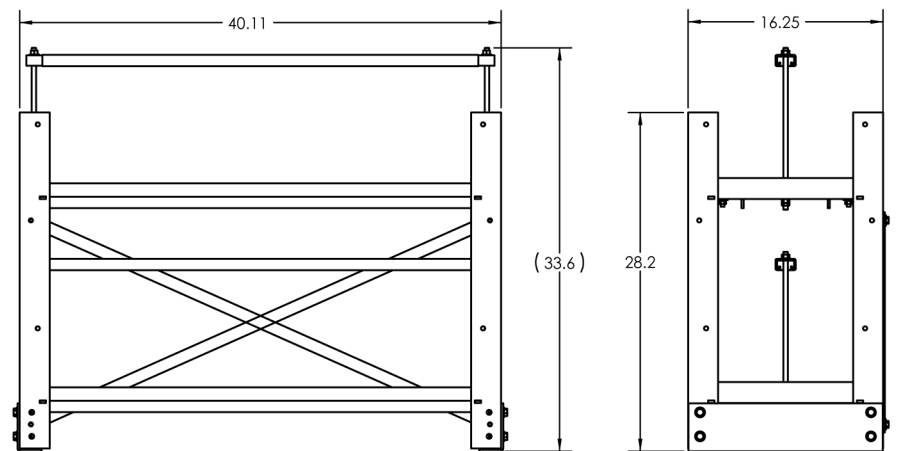
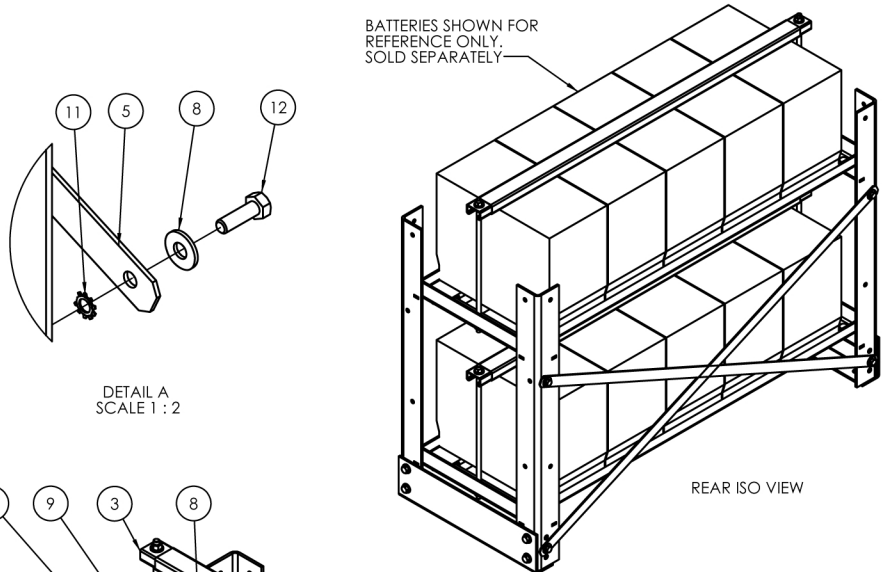


NOTES:

1. MATERIAL:SEE BOM
2. FINISH: N/A
3. PART IS TO BE CLEAN AND FREE OF GREASE, DIRT, OIL, AND ALL OTHER CONTAMINANTS.
4. DRAWING SHOWN WITH OPTIONAL MOUNTING FEET AND HARDWARE.

p/n VR-2T5W-Z4

REVISIONS			
REV.	DESCRIPTION		
A	INITIAL RELEASE		



ITEM NO.	PART NUMBER	DESCRIPTION	Default/ QTY.
17	SPLITLOCKWASHER3/8ZINC	3/8" LOCK WASHER, Z.P.	8
16	HEXBOLT3/8-16X1-1/4ZINC	HBOLT 0.3750-16x1-1/4", Z.P.	8
15	HEXJAMNUT3/8-16ZINC	HEX JAM NUT, 3/8-16, ZINC	4
14	HEXNUT3/8-16ZINC	HEX NUT, 3/8-16, ZINC	20
13	FLATWASHER3/8ZINC	3/8" FLAT WASHER, Z.P.	20
12	HEXBOLTS5/16-18X1ZINC	HEX BOLT, 5/16-18 X 1.0, ZINC	4
11	EXTTOOTHWASHER.312ZINC	EXTERNAL TOOTH WASHER, 5/16, ZINC	4
10	HEXNUTS5/16-18ZINC	NUT, HEX, 5/16-18 ZINC	12
9	SPLITLOCKWASHERS5/16ZINC	WASHER, SPLIT LOCK, 5/16 ZC	12
8	FLATWASHER3/8ZINC	WASHER, FLAT, .312, ZC	16
7	CARRIAGEBOLTS5/16-18X1ZINC	CARRIAGE BOLT, 5/16-18 X 1.0, ZC	8
6	BRC-000900	FEET, BRACE, OPEN FRAME RACKS	2
5	BRC-000800	BRACE, BATTERY RACK, 5 WIDE	2
4	BRC-000500	BRACE, BATT. HOLD DOWNS	4
3	RST-000703	HOLD DOWN, BATT., 5-WD, WITH SHRINK	2
2	BTR-000203	BATTERY RAILS, 5 WIDE	4
1	FRM-006200	FRAME, 1 TIER/2TIER	2

PROPRIETARY AND CONFIDENTIAL
 THE INFORMATION CONTAINED IN THIS DRAWING IS THE SOLE PROPERTY OF ELECTRONIC SYSTEMS SUPPORT. ANY REPRODUCTION IN PART OR AS A WHOLE WITHOUT THE WRITTEN PERMISSION OF ELECTRONIC SYSTEMS SUPPORT IS PROHIBITED.

UNLESS OTHERWISE SPECIFIED:
 DIMENSIONS ARE IN INCHES
 TOLERANCES:
 ANGULAR: MACH ± .5 BEND ±1
 TWO PLACE DECIMAL ±.01
 THREE PLACE DECIMAL ±.005

PROJECTION:

MATERIAL: SEE NOTE 1

FINISH: SEE NOTE 2

DO NOT SCALE DRAWING

DRAWN: _____
 CHECKED: _____
 ENG APPR: _____
 MFG APPR: _____
 G.A. _____

SCALE: 1:8 WEIGHT: SHEET 1 OF 1

SBS
 STORAGE BATTERY SYSTEMS, INC.

TITLE: BATTERY RACK, 2 TIER/5 WIDE OPEN FRAME

SIZE DWG. NO. R2T5 REV A

USED ON