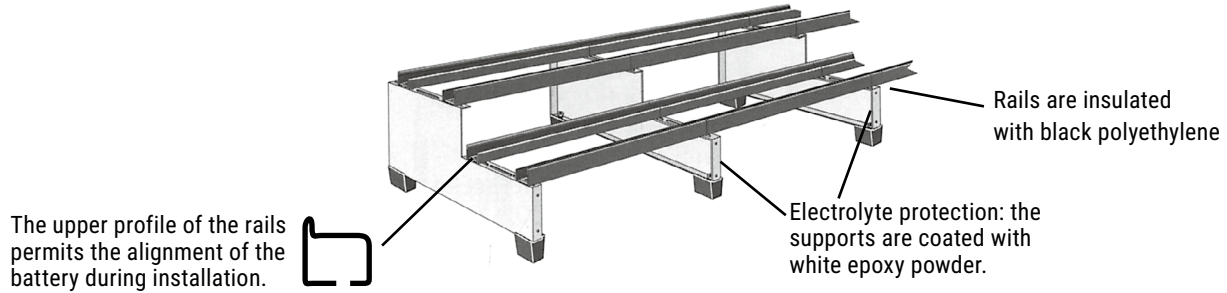


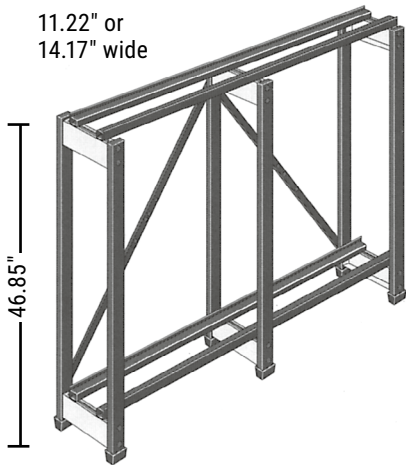
Standard Battery Racks

Zone 0 (Non-Seismic) Racks in Many Configurations

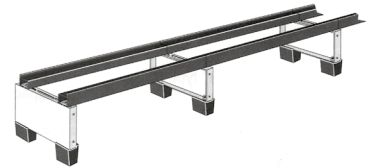
Our SBS standard racks have been designed for all types of stationary battery models. These easy-to-use racks are strong, have a flexible design, and are acid-proof. Their light, small frame makes them easy to install, move and store.



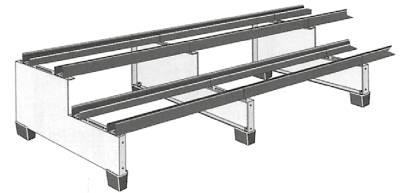
2-Tier racks
11.22" or
14.17" wide



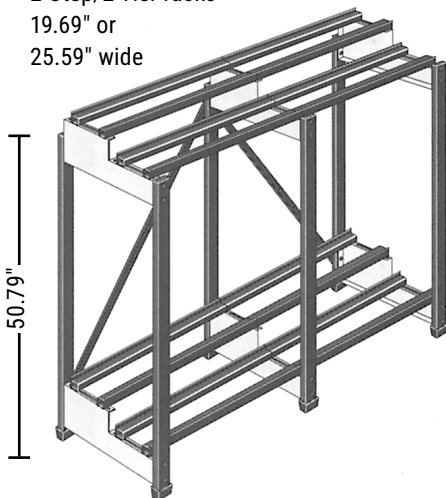
1-Tier racks
8.46" or 11.42" wide



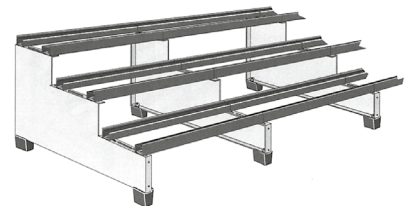
2-Step racks
16.93" or 22.83" wide



2-Step/2-Tier racks
19.69" or
25.59" wide



3-Step racks
25.39" or 34.25" wide



Please contact SBS for information on the different rack lengths and designs available.