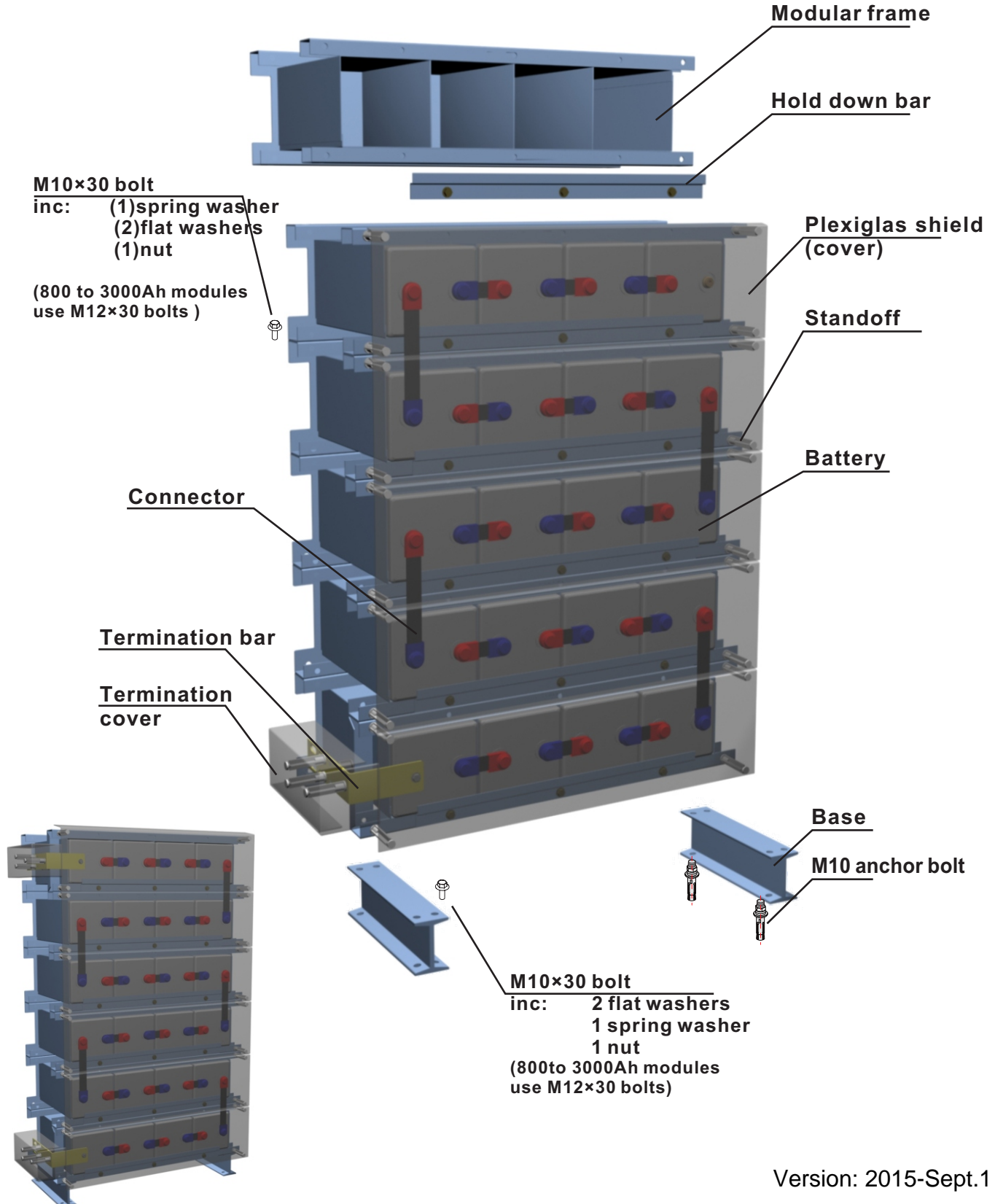


HORIZONTAL RACK INSTALLATION INSTRUCTIONS

Horizontal rack diagram

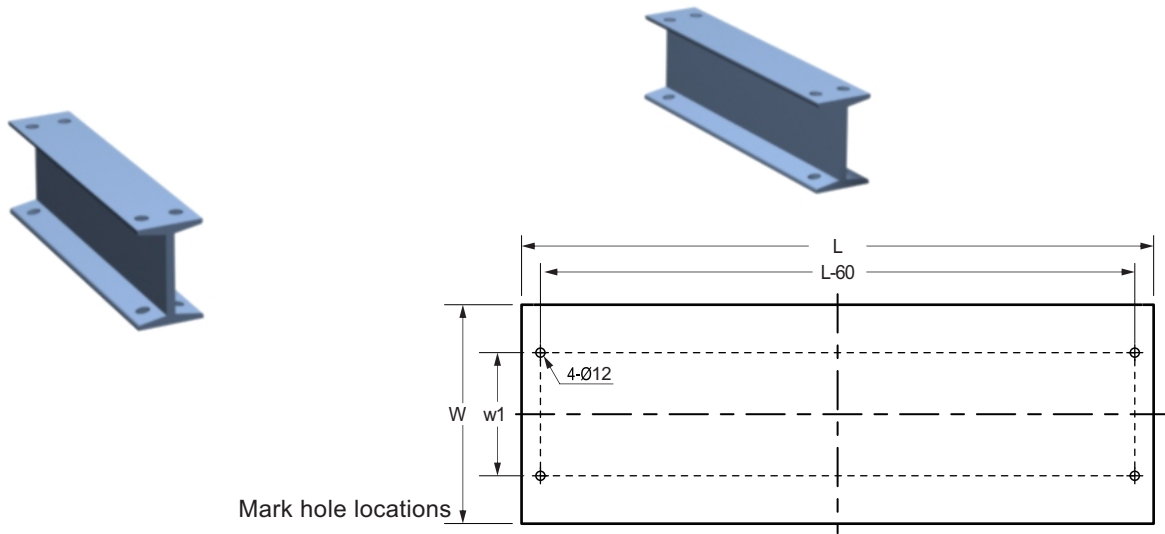
For E-AGM Batteries / EOS Racks



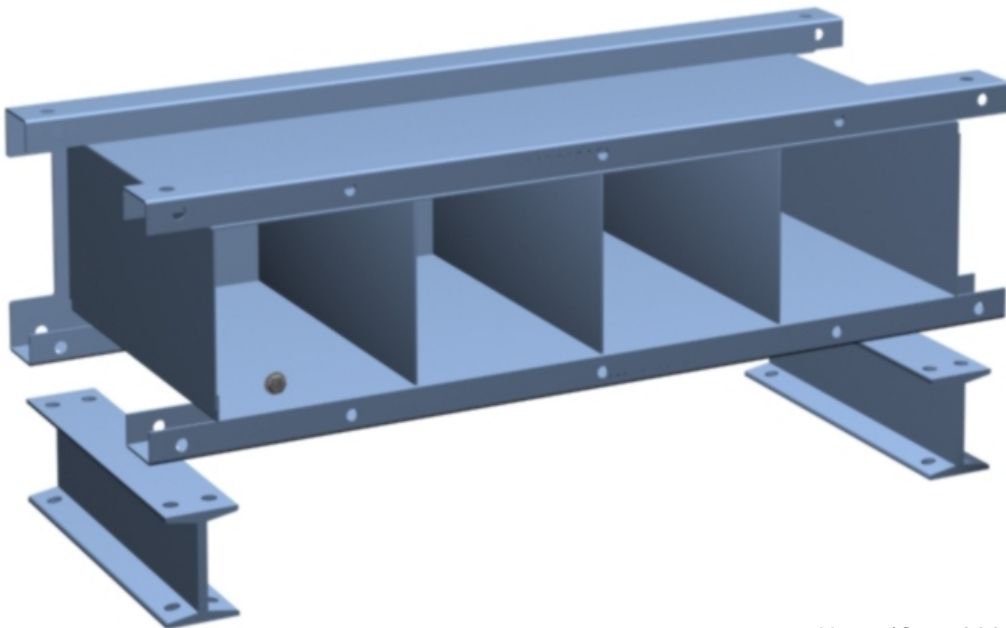
Version: 2015-Sept.1

Installation steps for horizontal rack

step 1: Install (2) bases on modular frame (as shown on page 1)



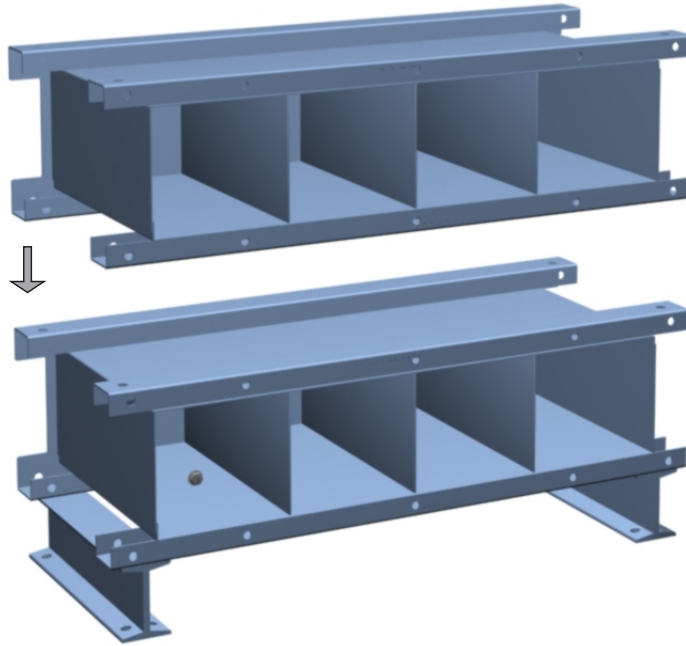
step 2: Attach modular frame to the bases, using M10×30 (or M12x30) connecting bolts (as shown on page 1).



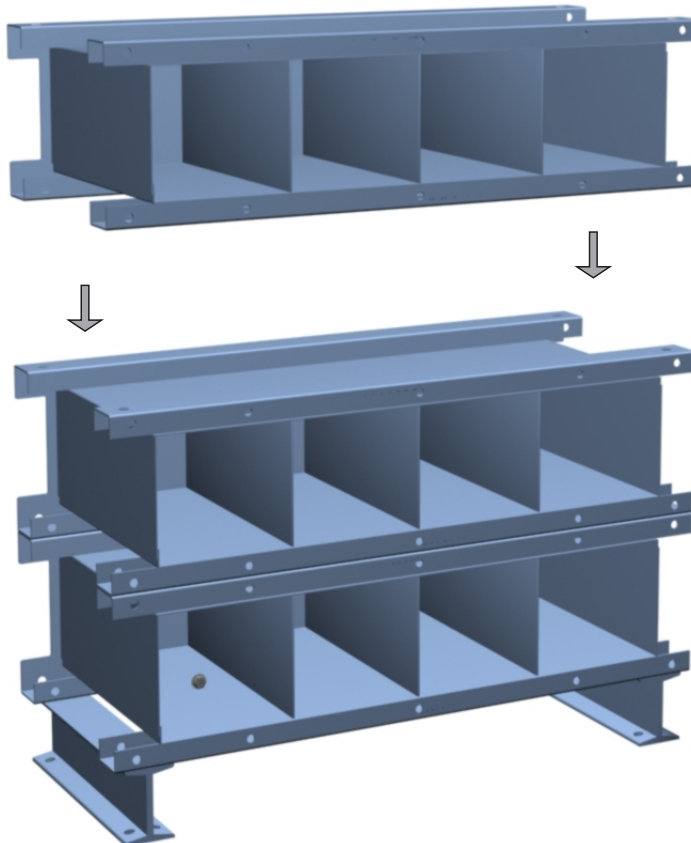
Note: (Over 800Ah battery models use M12×30 bolts to connect frame to base)

step 3: Move the modular rack assembly to the final position and mark hole locations. Next move the rack and drill anchors holes at the marked locations. Follow 1) user supplied anchor mounting instructions or 2) move rack back to the final position, install M10 expansion bolt anchors into the holes and tighten the nut to secure the rack to the floor.

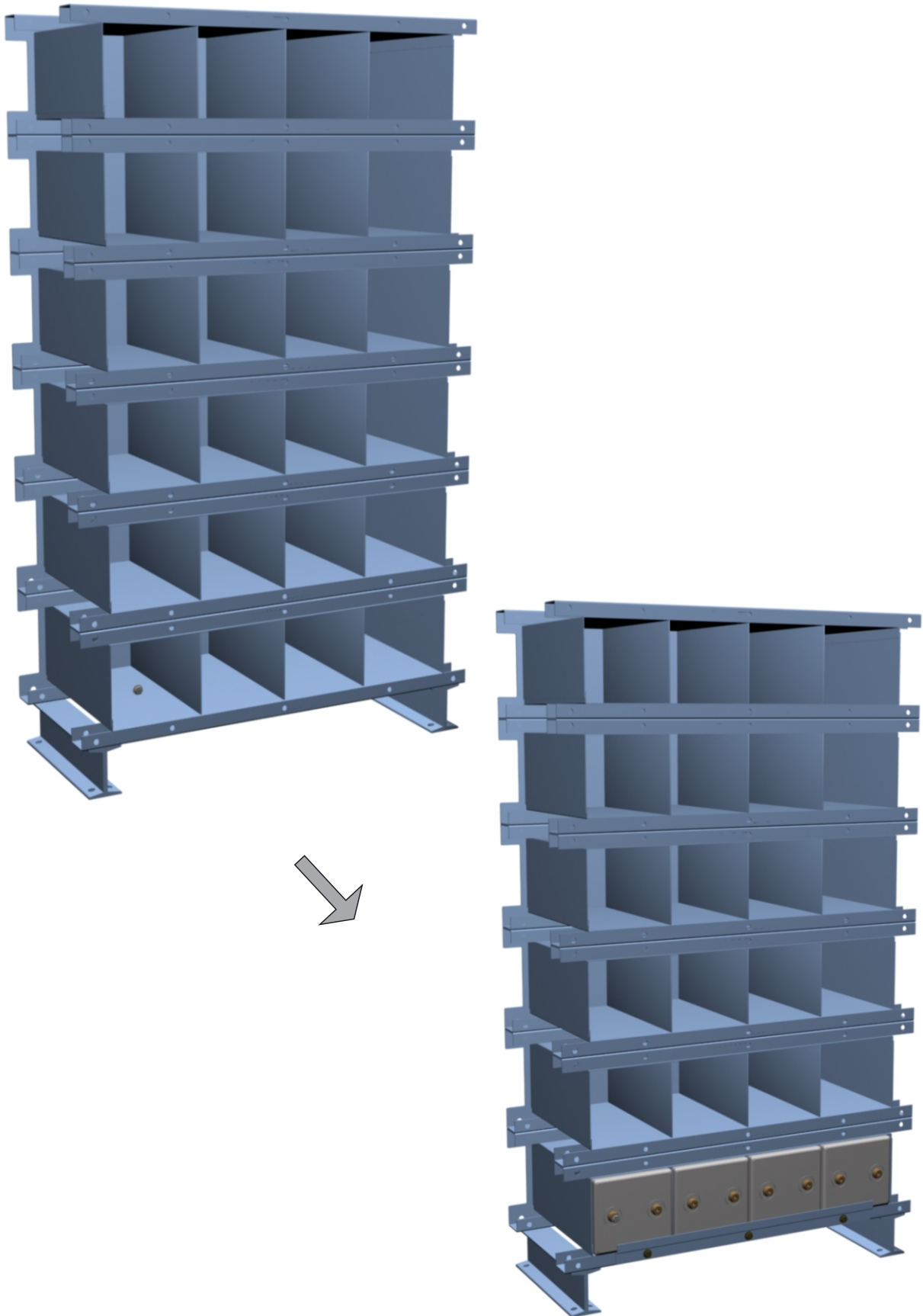
step 4: Install the second modular frame on top of the first using M10×30 connecting bolts to secure (as shown on page 1).



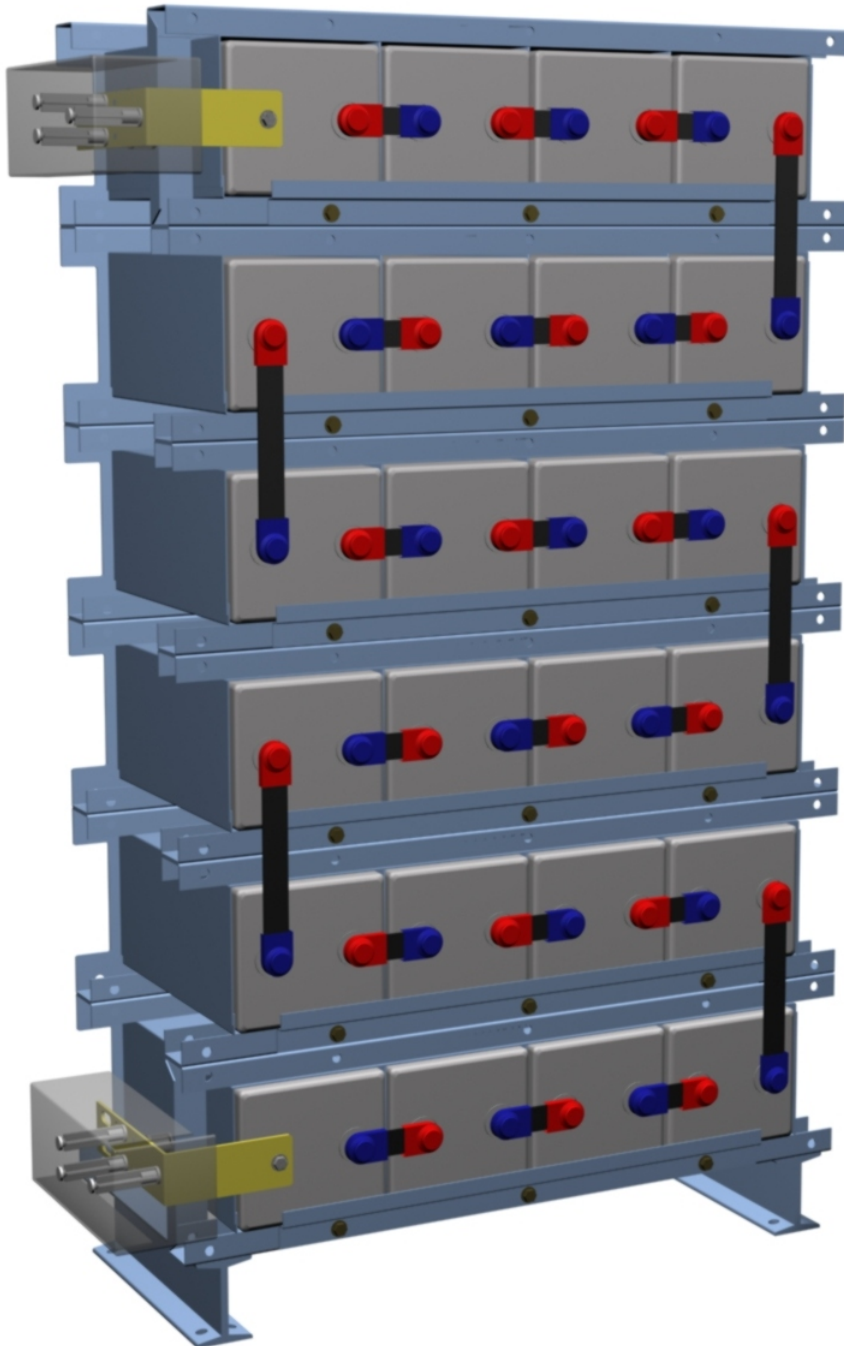
step 5: Install the 3rd, 4th, 5th layer...on the lower modular frame until all modular frames are aligned and installed.



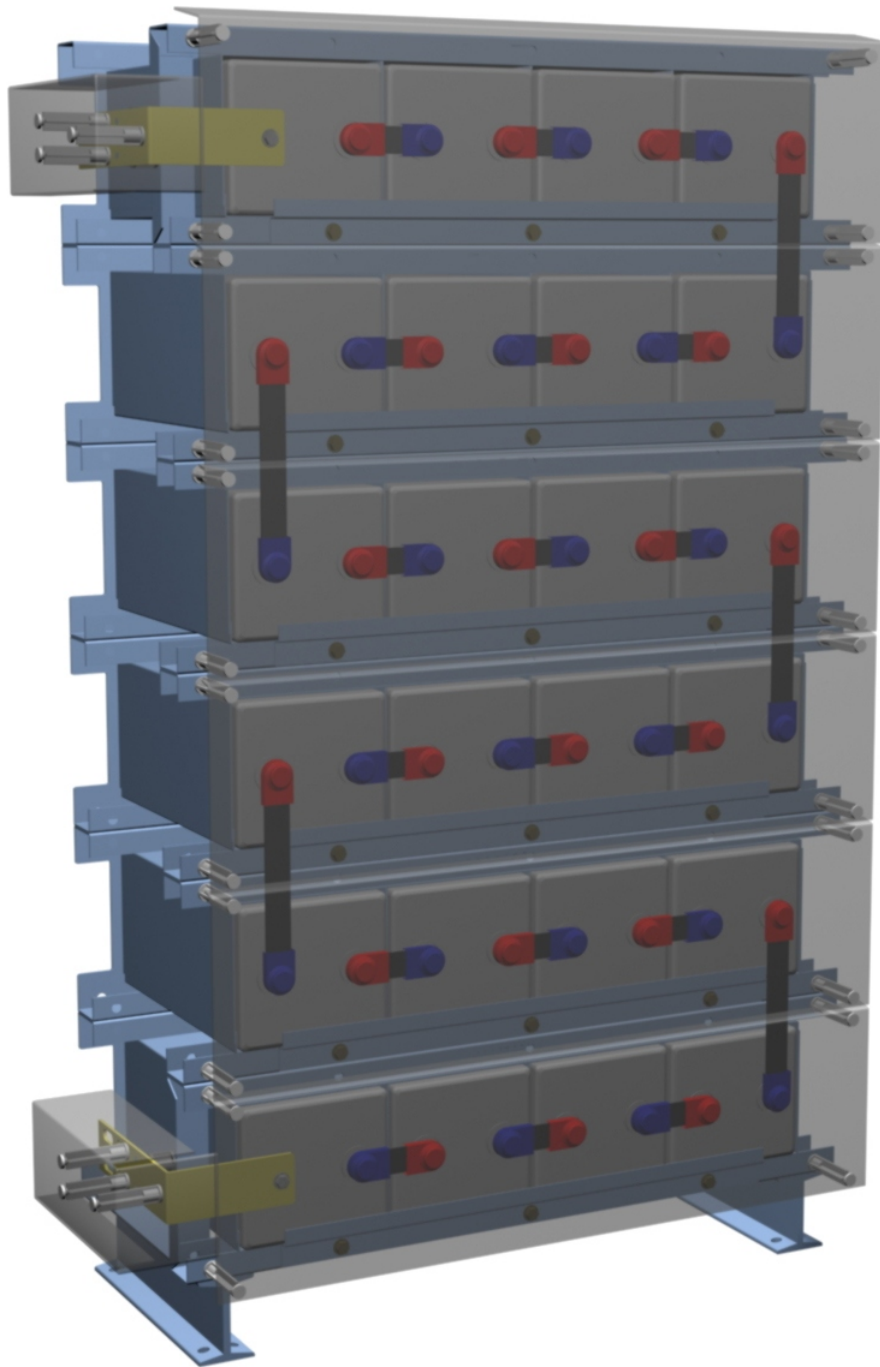
step 6: The cell layout and connection diagram will be supplied with the original quote, the rack or is available on www.sbsbattery.com. Orientate cells per drawing. Pay attention to the polarity of the cells. Install hold down bars after cells are mounted.



step 7: The connection diagram will show how to properly install the intercell connectors. If a termination bar and cover assembly is necessary, connect it according to the drawing below.



step 8: Install the standoffs and Plexiglas shields (covers) to the modular frame from the bottom up.



Note: Plexiglas shields are not required.