

Portable Chargers

Maintenance Chargers For Lead Acid and Nickel Cadmium Batteries



Portable Single Cell Charger: BB0442-01

- Boost charge a single cell without removing it from service (even while system is online)
- Provides a charge to a replacement cell prior to installation
- Input and output cables are stored inside the case when not in use
- Lightweight built-in carrying case with handle

Input (AC)

- 6 ft., 120 Vac, 3-prong cord
- Input to output isolation is 2kV
- Input current less than 0.5 Ampere

Output (DC)

- Selectable 1.8V (NiCd) or 2.6V (Lead Acid)
- Adjustable output voltage $\pm 5\%$
- Output AC ripple is below 1%
- Selectable current limited at 3, 6 or 10 Amps

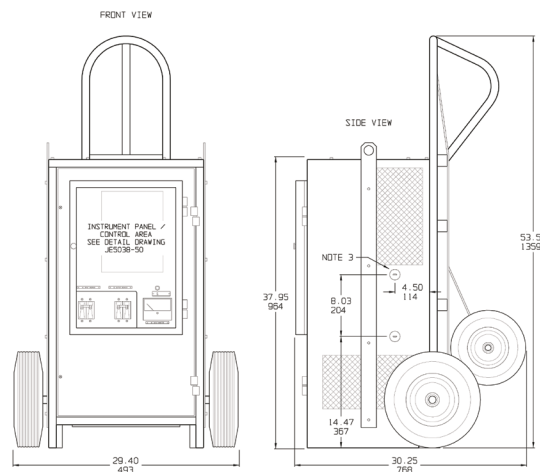
Specifications

Part No.	DC Output (Amps)	DC Output (Volts)	AC Input (Volts)	AC Input Frequency	Dimensions L x D x H (in.)	Weight (lb.)
BB0442-01	3/6/10	1.8/2.6	120	60 Hz	12.3 x 6.8 x 4.5	12.0



Universal Maintenance Charger: BB0443-XX

- Charges 20-140 Vdc battery systems
- AC input accepts 120, 208, 240 or 480 Vac at 60 Hz, single phase
- Filtered output as a battery eliminator allows the charger to operate without battery
- Output ripple:
 - 200mVrms without battery
 - 30mVrms with battery
- Current limit adjustable from 10-110%
- Mounted on a hand truck
- Input and output circuit breakers
- 2% analog AC ammeter
- 1% digital DC ammeter



Specifications

Part No.	DC Output (Amps)	DC Output (Volts)	AC Input (Volts)	AC Input Frequency	Dimensions L x D x H (in.)	Weight (lb.)
BB0443-00	25	20-140	120/208 240/480	60 Hz	29.4 x 30.3 x 53.5	290
BB0443-01	50	20-140	120/208 240/480	60 Hz	29.4 x 30.3 x 53.5	390

