

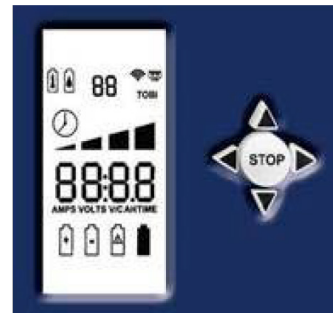
SBS-MicroSMART MXT

High Frequency Industrial Battery Charger



The new MicroSMART High Frequency MXT battery charger with its intelligent and modular design offers an easy graphic icon display that allows for quick identification of battery charge status. Constant communication is maintained between the battery and charger ensuring a perfect charge and delivering a charge at a cooler temperature even at higher charge rates. MXT has 24 pre-loaded charger algorithms to charge any battery chemistry, including Lithium-Ion.

The Ionic charge profile is the default setting for opportunity charge applications. The benefits of this technology include reduced charge times, cooler battery temps during charge cycle and more consistent mixing of electrolyte throughout the entire cell.



P46-303: control wireless communication from charger to computer

Benefits

- Eliminates battery changes
- Delivers a safe charge at a cooler temperature
- Low energy costs
- Increased driver productivity
- Peak efficiency 94%, power factor 95%

Features

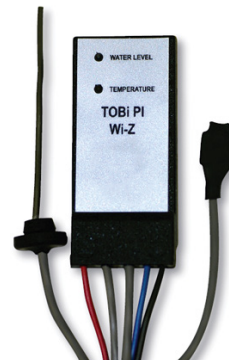
- Multi-voltage capable
- Less time on a charge
- Conventional, opportunity or fast charge
- Small, lightweight modular design

Product Safety

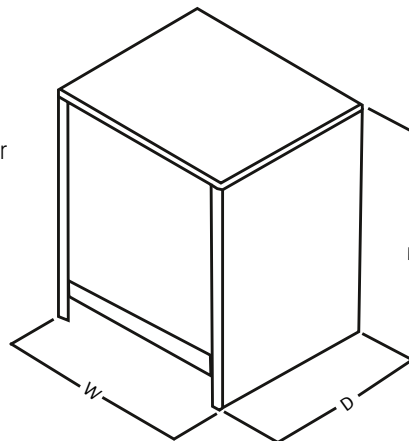
- CEC listed
- UL listed

Warranty Details

- Full 3 year warranty
- Additional 5 year parts only warranty on power transformer



TOBi PI Wi-Z wireless communication between battery, charger and computer



Specifications

Model Number	Number of Cells	DC Voltage*	Max DC Amps	ACV	ACA	Standard 8 HR Charge Battery Range	OPP. Charge Battery Range	40% Fast. Charge Battery Range
S12-65-E3	12	24	65	480	2.5	0-390	0-260	0-160
S12-130-E3	12	24	130	480	4.9	391-790	261-520	161-325
S12-195-E3	12	24	195	480	7.4	791-1180	521-780	326-488
S12-260-E3	12	24	260	480	9.8	1181-1575	781-1040	489-650
S12-325-E3	12	24	325	480	12.3	1576-1970	1041-1300	651-812
S24-40-E3	12/18/24	24/36/48	50/50/40	480	2.8	300/300/242	200/200/160	125/125/100
S24-80-E3	12/18/24	24/36/48	100/100/80	480	5.6	600/600/485	400/400/320	250/250/200
S24-120-E3	12/18/24	24/36/48	150/150/120	480	8.4	900/900/725	600/600/480	375/375/300
S24-160-E3	12/18/24	24/36/48	200/200/160	480	11.2	1200/1200/970	800/800/640	500/500/400
S24-200-E3	12/18/24	24/36/48	250/250/200	480	14.0	1500/1500/1200	1000/1000/800	625/625/500
S24-240-E3	12/18/24	24/36/48	300/300/240	480	16.8	1800/1800/1450	1200/1200/960	750/750/600
S24-280-E3	12/18/24	24/36/48	350/350/280	480	19.6	2120/2120/1700	1400/1400/1120	875/875/700
S24-320-E3	12/18/24	24/36/48	400/400/320	480	22.4	2425/2425/1940	1600/1600/1280	1000/1000/800
S80-23-E3	36/40	72/80	23	480	2.8	0-140	0-90	0-58
S80-45-E3	36/40	72/80	45	480	5.6	141-275	93-180	59-113
S80-68-E3	36/40	72/80	68	480	8.4	276-410	181-275	114-170
S80-90-E3	36/40	72/80	90	480	11.2	411-545	276-360	171-225
S80-113-E3	36/40	72/80	113	480	14.0	546-685	361-450	226-283
S80-135-E3	36/40	72/80	135	480	16.8	686-815	451-540	284-338
S80-158-E3	36/40	72/80	158	480	19.6	816-955	541-630	339-395
S80-180-E3	36/40	72/80	180	480	22.4	956-1090	631-720	396-450
S12-65-D3	12	24	65	208/240	5.0	390	260	160
S12-130-D3	12	24	130	208/240	9.8	790	520	325
S12-195-D3	12	24	195	208/240	14.8	1180	780	488
S12-260-D3	12	24	260	208/240	19.6	1575	1040	650
S12-325-D3	12	24	325	208/240	24.6	1970	1300	812
S24-40-D3	12/18/24	24/36/48	50/50/40	208/240	5.6	300/300/242	200/200/160	125/125/100
S24-80-D3	12/18/24	24/36/48	100/100/80	208/240	11.2	600/600/485	400/400/320	250/250/200
S24-120-D3	12/18/24	24/36/48	150/150/120	208/240	16.8	900/900/725	600/600/480	375/375/300
S24-160-D3	12/18/24	24/36/48	200/200/160	208/240	22.4	1200/1200/970	800/800/640	500/500/400
S24-200-D3	12/18/24	24/36/48	250/250/200	208/240	28	1500/1500/1200	1000/1000/800	625/625/500
S24-240-D3	12/18/24	24/36/48	300/300/240	208/240	33.6	1800/1800/1450	1200/1200/960	750/750/600
S24-280-D3	12/18/24	24/36/48	350/350/280	208/240	39.2	2120/2120/1700	1400/1400/1120	875/875/700
S24-320-D3	12/18/24	24/36/48	400/400/320	208/240	44.8	2425/2425/1940	1600/1600/1280	1000/1000/800

* A/C line

240 = D will operate at 208/3/60 input but DC output will be reduced to approximately 25%

480 = E

600 = AG

Case Dimensions

Case	Height (in.)	Width (in.)	Depth (in.)
900	22.60	13.13	14.63