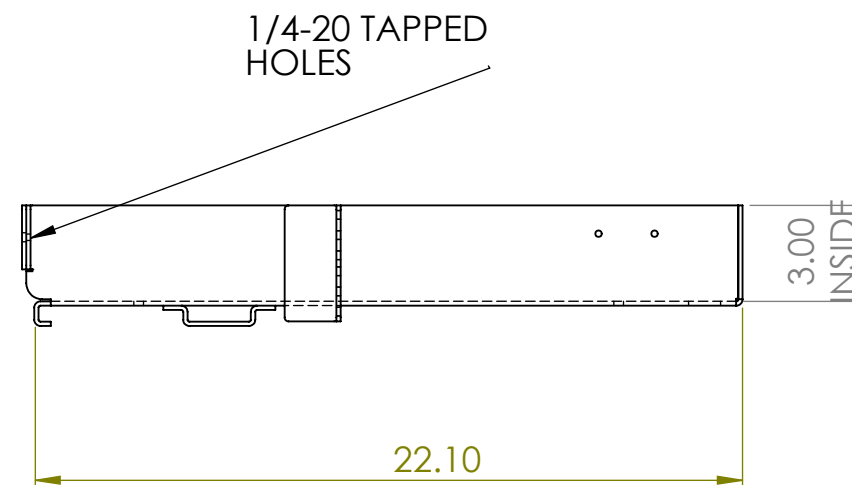
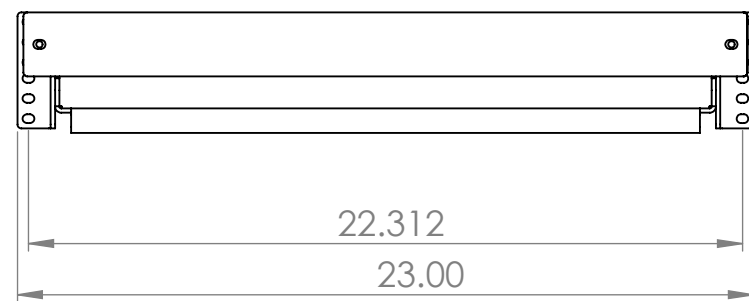
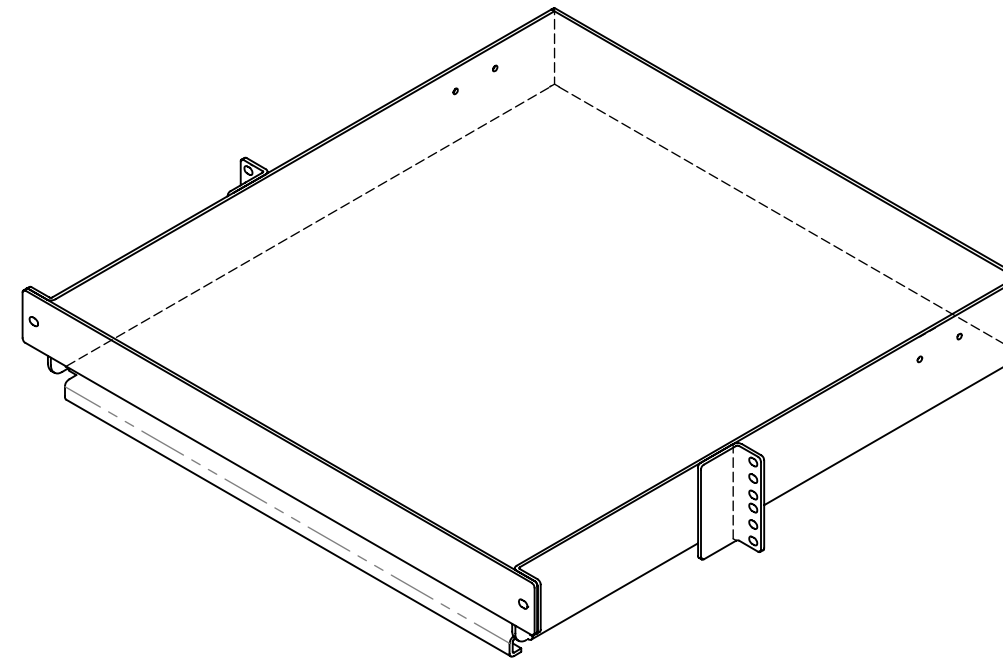
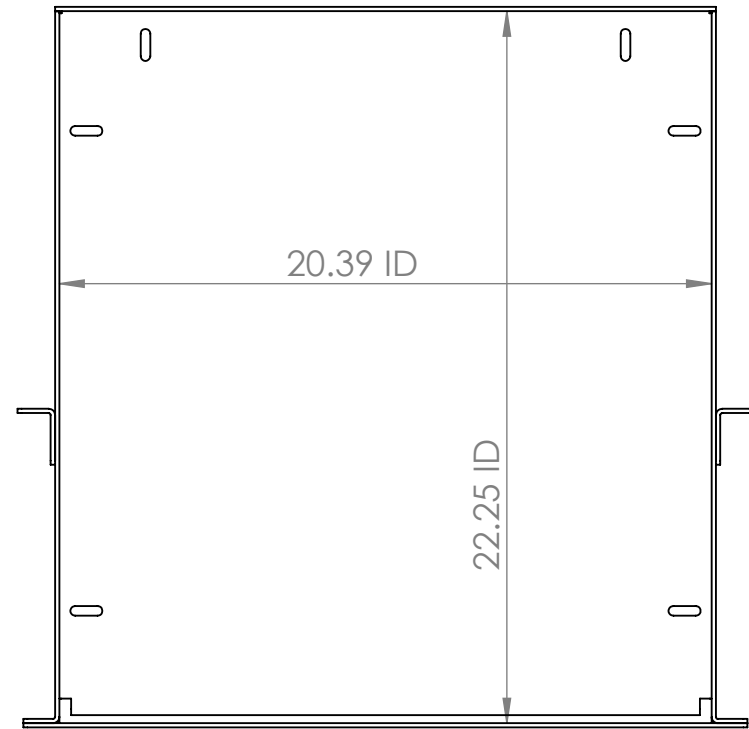


Each tray will include the following:

- (1) Front hold down bar
- (2) 1/4-20 x 3/8 screws (for front hold down bar installation)
- (12) 12-24 x 1/2" self tapping screws (to attach tray to rack)



TOLERANCES UNLESS SPECIFIED

FRACTIONAL	± 1/16"
X.X	± 0.06"
X.XX	± 0.03"
X.XXX	± 0.010"
ANGULAR	± 1°
UPHOLSTERY	± .25"

CAD GENERATED DRAWING,
DO NOT MANUALLY UPDATE

INITIALS	DATE
DESIGNER	
DRAFTER	
CHECKER	
APPROVED	
WGT. (LBS)	



DESCRIPTION	
23" BATTERY TRAY - ASSY	
SIZE	DWG. NO.
B	91302
SCALE	1:5
SHEET	1 OF 6

MATERIAL: ALL 10 GA STEEL COMPONENTS

FINISH: _____

DO NOT SCALE DRAWING

THIS DOCUMENT IS THE PROPERTY OF SBS AND IS NOT TO BE COPIED, GIVEN, REPRODUCED, LOANED, OR USED IN ANY WAY WHICH IS DETRIMENTAL TO SBS. BY ACCEPTING THIS DOCUMENT RECIPENT IS BOUND TO ENTER INTO A CONFIDENTIALITY AGREEMENT.